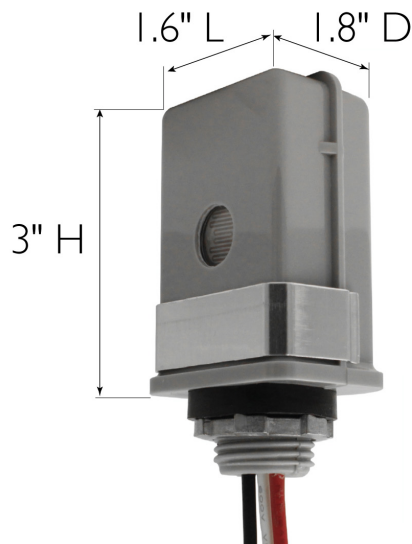


# Stem Mount Outdoor Photocontrol



## SPECIFICATIONS

<b>PHOTOCONTROL TYPE:</b>	Electronic	<b>SENSOR TIME DELAY:</b>	Instant on; 30 -120 seconds off
<b>APPLICATION COMPATIBILITIES:</b>	LED; Incandescent; HID	<b>FAIL MODE:</b>	On
<b>PHOTOCONTROL STYLE:</b>	Stem Mount	<b>ACTIVATION ON:</b>	1.0 fc
<b>PHOTOCONTROL SENSOR LOCATION:</b>	Side	<b>ACTIVATION OFF:</b>	1.5 fc
<b>HOUSING MATERIAL:</b>	Polycarbonate		
<b>PRODUCTION DIMENSIONS:</b>	3" H x 1.6" L x 1.8" D		
<b>WEIGHT:</b>	.15 lbs.	<b>VOLTAGE:</b>	120
<b>WIRE LENGTH LEAD:</b>	6"	<b>TUNGSTEN RANGE:</b>	1800 W
<b>WIRE SIZE MAX:</b>	#16 AWG	<b>BALLAST:</b>	1100 VA
<b>THREADED STEM SIZE:</b>	1/2"	<b>TEMPERATURE OPERATION:</b>	-40°F to 140°F

<b>WARRANTY:</b>	5-Year limited warranty
<b>UL/ETL CERTIFICATION:</b>	UL
<b>WET/DRY/DAMP LISTING:</b>	Wet
<b>ROHS CERTIFICATION:</b>	Yes
<b>IP GRADE:</b>	IP54



TYPE:  
JOB:  
ORDER CODE:  
APPROVALS: