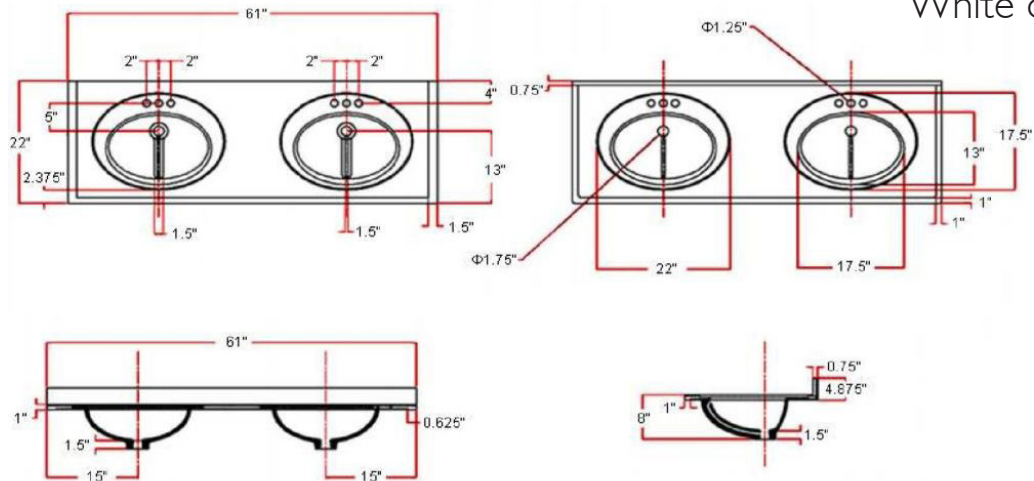


Double Bowl Cultured Marble Top 61" White on White



SPECIFICATIONS

MATERIAL:	Cultured Marble
TOOLS NEEDED FOR INSTALLATION:	100% silicone
ASSEMBLED DIMENSIONS:	11.09" H x 61" L x 22" D
ASSEMBLED WEIGHT:	69 lbs.
FAUCET TYPE:	Lav Centerset
NUMBER OF MOUNTING HOLES:	3
BOWL MATERIAL:	Cultured Marble
BACK SPLASH INCLUDED:	Yes
COLOR:	White on White
NUMBER OF BOWLS:	2
BOWL DIMENSIONS:	5.63" H x 11.63" W x 16.85" D
BOWL SHAPE:	Oval
SINK THICKNESS:	0.98"
MOUNTING TYPE:	Integrated
OVERFLOW HOLE:	Yes



WARRANTY:	5-Year limited warranty
LEGAL FOR SALE IN CALIFORNIA:	Yes



TYPE:
JOB:
ORDER CODE:
APPROVALS: