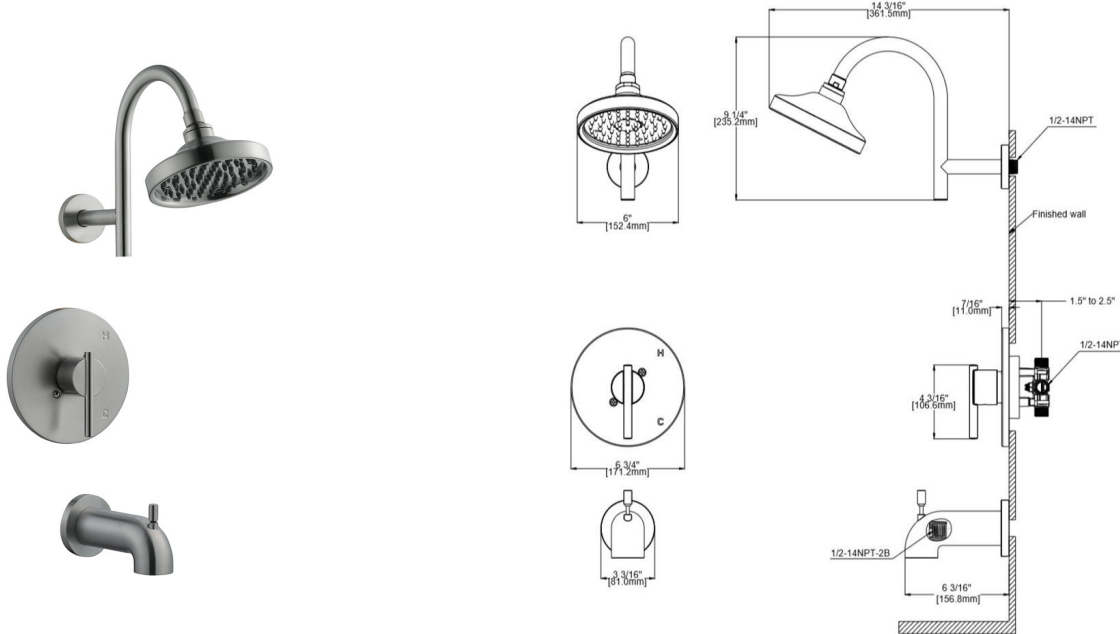


## Geneva Bath and Shower Trim with Valve

Satin Nickel



### SPECIFICATIONS

<b>MATERIAL:</b>	Brass/ABS	<b>WEIGHT:</b>	4.95 lbs.
<b>HANDLE MATERIAL:</b>	Zinc	<b>PVD FINISH:</b>	Yes
<b>SPOUT MATERIAL:</b>	N/A	<b>ESCUTCHEON INCLUDED:</b>	N/A
<b>CARTRIDGE MATERIAL:</b>	Compression	<b>VALVE INCLUDED:</b>	Yes
<b>WATERWAY MATERIAL:</b>	Hybrid	<b>PRESSURE BALANCED VALVE:</b>	No
<b>VALVE MATERIAL:</b>	N/A	<b>TYPE OF SHOWER HEAD:</b>	Wall Mount
<b>DRAIN MATERIAL:</b>	N/A	<b>SHOWER HEAD FUNCTIONS (QTY):</b>	1
<b>FAUCET TYPE:</b>	Bath & Shower Trim	<b>SHOWER HEAD NOZZLE TYPE:</b>	Raised
<b>SPOUT REACH:</b>	5.08"	<b>SHOWER HEAD SHAPE:</b>	Round
<b>FLOW RATE:</b>	1.8 GPM	<b>SHOWER HEAD PUSH BUTTON:</b>	No
<b>LOW FLOW:</b>	Yes	<b>TUB SPOUT TYPE:</b>	Threaded
<b>HANDLES CONFIGURATION:</b>	Single Handle	<b>TUB SPOUT DIVERTER INCLUDED:</b>	Yes
<b>HANDLE REACH:</b>	5.08"		
<b>QUICK ATTACH INCLUDED:</b>	No		
<b>DIMENSIONS:</b>	78" H x 10.5" L x 6.75" D		

<b>WARRANTY:</b>	5-Year limited warranty
<b>UPC CERTIFICATION NAME:</b>	cUPC
<b>ANSI CERTIFICATION:</b>	N/A
<b>WATERSENSE:</b>	Yes
<b>ASME:</b>	No
<b>AB-1953 LEAD FREE:</b>	No
<b>ADA COMPLIANT:</b>	Yes



<b>TYPE:</b> <b>JOB:</b> <b>ORDER CODE:</b> <b>APPROVALS:</b>
--