

Eastport Shower Head

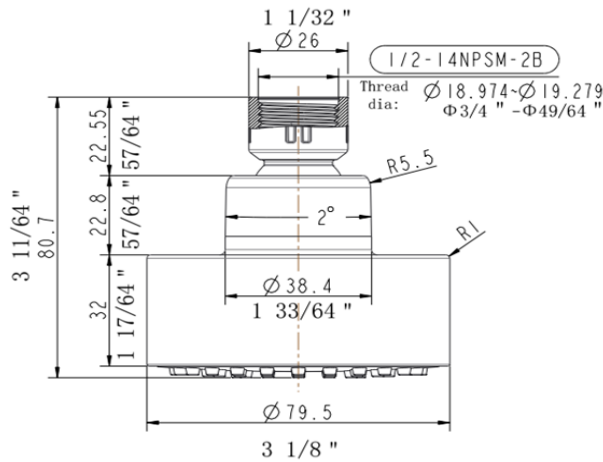


Specifications

Material Plastic / ABS
Functionality Single function
Dimension 3 1/8 "
Flow rate 2.0 GPM



Dimensions



Warranty & Compliances

Warranty Lifetime Limited Warranty, Lifetime Limited Finish Warranty
IAPMO/UPC CUPC compliant
ASME ASME A112.18.1-2012/CSA B1255.1-12



Order Codes & Finishes/Colors

Brushed Nickel (US15) 816140 
Polished Chrome 816132 
Oil Rubbed Bronze 

Type:
Job:
Order Code:
Approvals:

Design House reserves the right to make changes in materials, specifications & models at any time. Design House also reserves the right to discontinue product without notice or obligation.