

Plastic Closet Pole Socket

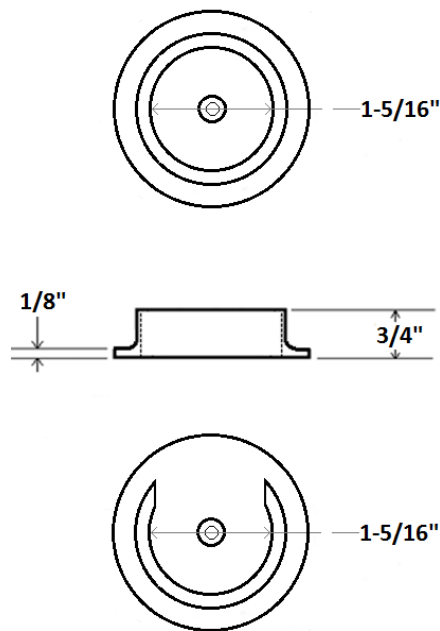


Specifications

Metal Material	Plastic
Packaging	Poly Bag
Mounting:	1 x 5/32" hole
Hardware:	2 x 1" wood screws included



Dimensions



Warranty & Compliances

Warranty	Limited 1 year warranty
ANSI/BHMA	N/A



Order Codes

White 206086

Type:
Job:
Order Code:
Approvals:

Design House reserves the right to make changes in materials, specifications & models at any time. Design House also reserves the right to discontinue product without notice or obligation.