

Victorian Cabinet Pull

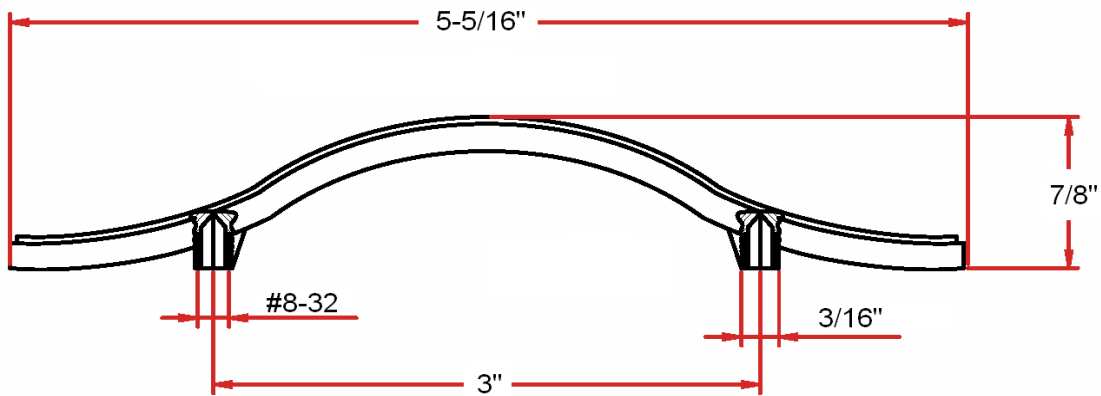


Specifications

Metal Material 100% Zinc alloy
Packaging Poly bag



Dimensions



Warranty & Compliances

Warranty Limited 1 year warranty
ANSI/BHMA N/A



Order Codes

Satin Nickel (US15) 204644
Oil Rubbed Bronze (US10B) 203281



Type:

Job:

Order Code:

Approvals: