

Hollow Core Hinge Pin Door Stop

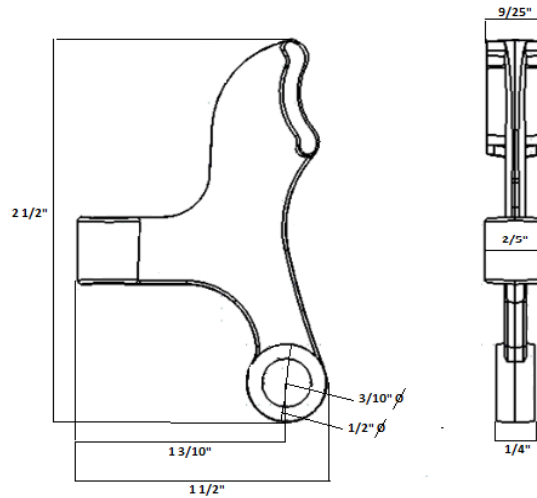


Specifications

Product Dimensions:	2 1/2" x 1 1/2"
Metal Material:	Zinc
Hinge Pin:	Accommodates 1/4"-5/16" Dia.Hinge Pins
Door Opening:	85 to 125 degrees
Packaging:	Poly Bag
Mounting Screws:	Mounting Screws included



Dimensions



Warranty & Compliances

Warranty	1 Year Limited Warranty
ANSI	N/A



Order Codes

Satin Nickel	204776
Oil Rubbed Bronze	204768



Type:
Job:
Order Code:
Approvals:

