

MARATHON II Downrod Fan

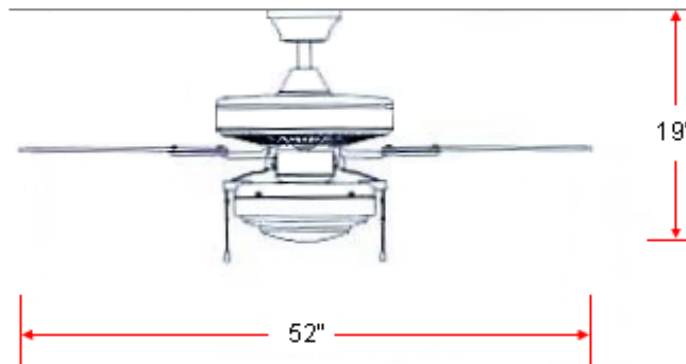


Specifications



Material Construction:	Steel Body with 5 ABS blades
Motor Size:	153mm x 15mm (14 pole)
Diameter:	52"
Downrod:	3/4" dia. X 6" long downrod included
Mounting:	Tri-mount adaptable (downrod, close-to-ceiling & vaulted ceiling)
Blade Details:	5 blades; 12° pitch
Blade Color:	Oak
Speed Control:	3 speed pull chain control
Voltage:	120V
Weight:	17.42 lbs.
Light Kit - Lens	Opal etched Glass
Light Kit - Lamp Info	2 x 60W, candelabra-based incandescent lamps (included)
Airflow at High Speed:	4785 CFM
Electricity Usage:	68 Watts
Airflow Efficiency:	70 CFM/W
RPMs (High/Med/Low):	180/135/75



Dimensions



Warranty & Compliances

Warranty	Lifetime Limited Warranty	 
UL	UL Listed for use in damp locations	
EPACT 2005	Fan is compliant with the Energy Policy Act of 2005 and includes a device that limits the light kit wattage to 190 W	

Order Codes

Old Iron 153726

Type:

Job:

Order Code:

Approvals:

Design House reserves the right to make changes in materials, specifications & models at any time. Design House also reserves the right to discontinue product without notice or obligation.