

CALCUTTA II Downrod Fan

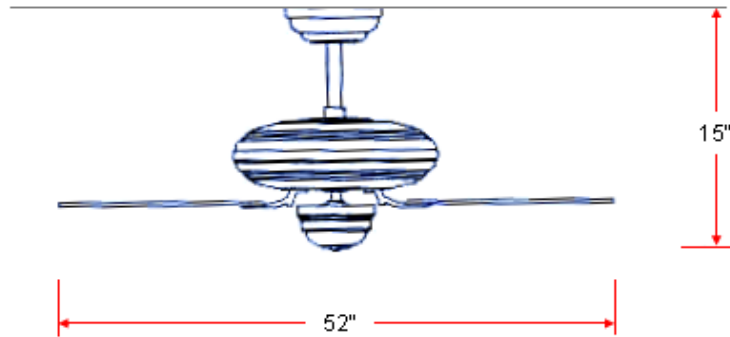


Specifications

Material Construction:	Steel body with 5 ABS blades
Motor Size:	172mm x 17mm
Diameter:	52"
Downrod:	3/4" dia. X 6" Long downrod included
Mounting:	Tri-mount adaptable (downrod, close-to-ceiling & vaulted ceiling)
Blade Details:	5 blades; 12° pitch
Blade Color:	Dark chestnut
Speed Control:	3 speed remote control
Voltage:	120V
Weight:	22 lbs.
Light Kit - Lens	N/A
Light Kit - Lamp Info	N/A
Airflow at High Speed:	4700 CFM
Electricity Usage:	65 Watts
Airflow Efficiency:	72 CFM/W
RPMS (High/Med/Low):	175/120/80



Dimensions



Warranty & Compliances

Warranty	Lifetime Limited Warranty
UL	UL Listed for use in damp locations



Order Codes

New Bronze 153247

Type:

Job:

Order Code:

Approvals: