

ATRIUM Hugger Fan

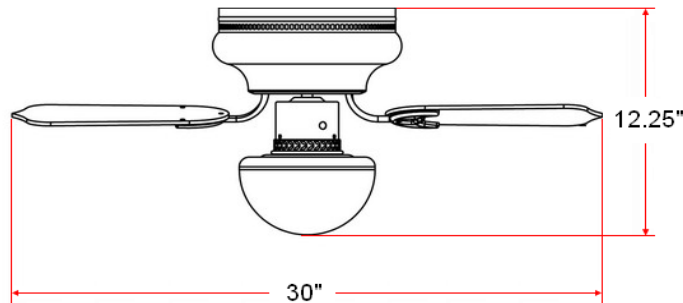


Specifications

Material Construction:	Steel
Motor Size:	153mm x 8mm (16 pole)
Diameter:	30"
Downrod:	Not included
Mounting:	Hugger mount for tight locations
Blade Details:	6 blades; 18° pitch; reversible
Blade Color:	White/Bleached Oak
Speed Control:	3 speed pull chain control
Voltage:	120V
Weight:	11 lbs.
Light Kit - Lens	Frosted Opal Glass
Light Kit - Lamp Info	1 x 60W, candelabra-based incandescent lamp (included)
Airflow at High Speed:	3900 CFM
Electricity Usage:	45 Watts
Airflow Efficiency:	87 CFM/W
RPMs (High/Med/Low):	223/165/110



Dimensions



Warranty & Compliances

Warranty 10 Year Limited Warranty

UL UL Listed

EPACT 2005 Fan is compliant with the Energy Policy Act of 2005 and includes a device that limits the light kit wattage to 190 W



Order Codes

White 152991

Type:

Job:

Order Code:

Approvals:

Design House reserves the right to make changes in materials, specifications & models at any time. Design House also reserves the right to discontinue product without notice or obligation.