

33" x 22" x 8" 3 Holes SS Sink Double Bowl

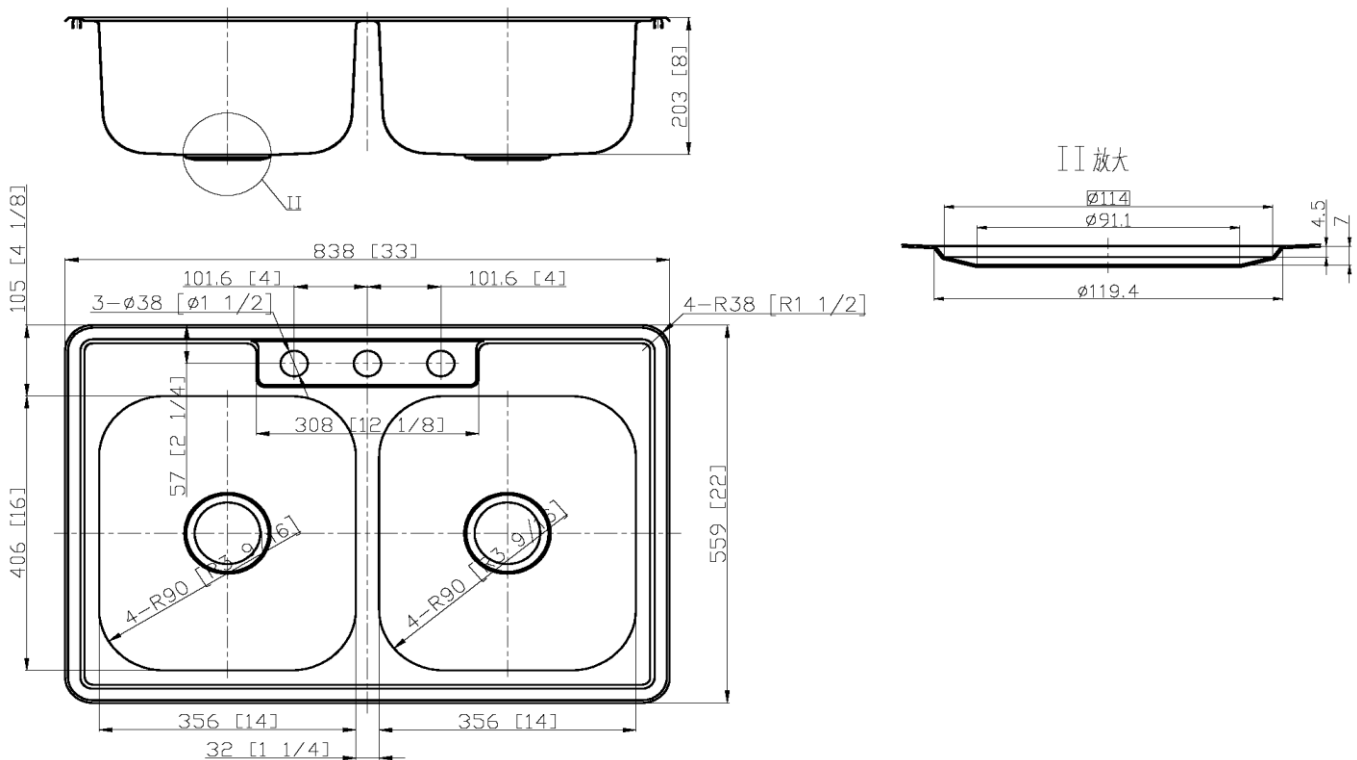


Specifications

- 33" x 22" x 8" SS Sink
- Double Bowl
- 3x pre-drilled 4" center faucet holes
- 20 gauge SS 304
- Bottom sound deaden pad & cutting template included
- Fixing clips included
- All brush finish
- Sink Strainer not included



Dimensions



Warranty & Compliances

| | |
|----------------------------------|--|
| Warranty | Lifetime Limited Warranty |
| ASME/CSA | ASME A112.19.3-2008/CSA B45.4-08 (R2013) including Update No. 2 dated March 2011 |
| Uniform Plumbing Code (UPC®) | compliance |
| National Plumbing Code of Canada | compliance |



Order Codes & Finishes/Colors

33 x 22 x 8 113076
 3 holes
 20g

Type:
 Job:
 Order Code:
 Approvals: