

33" X22" x 7" 3 Holes SS Sink Double Bowl

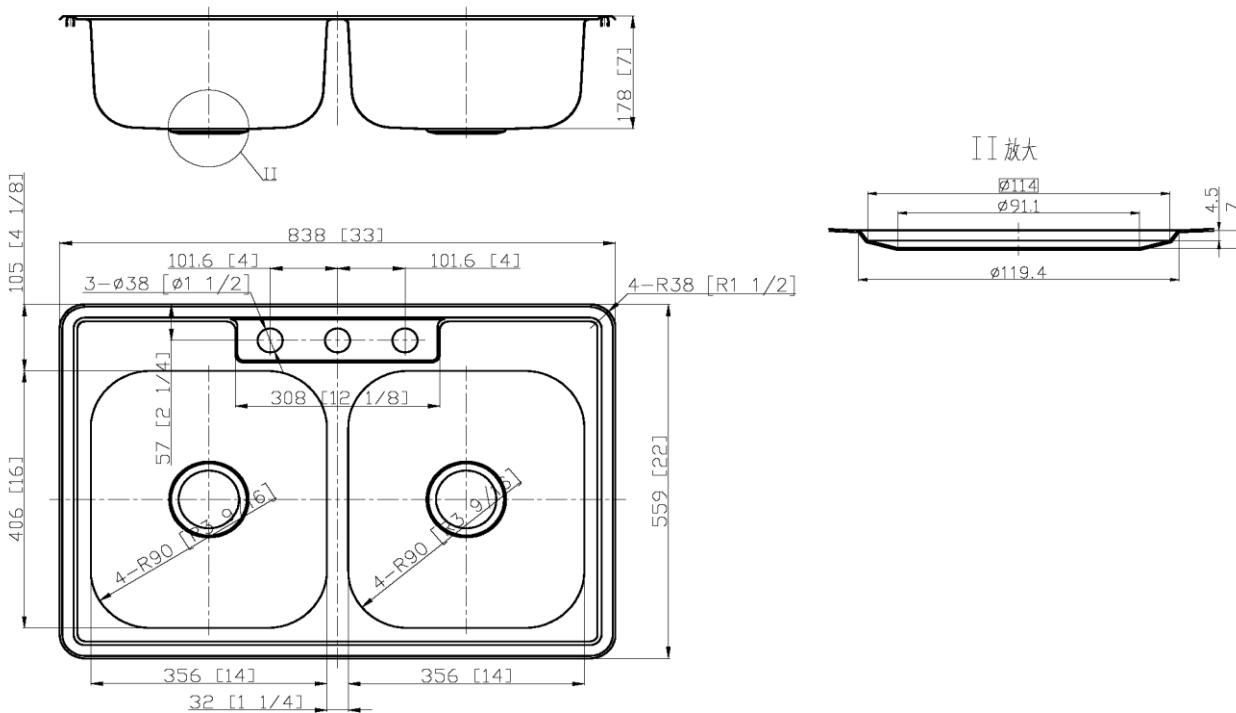


Specifications

- 33" x22" x 7" SS Sink
- Double Bowl
- 3x pre-drilled 4" center faucet holes
- 22 gauge SS 304
- Bottom sound deaden pad & cutting template included
- Fixing clips included
- All brush finish
- Sink Strainer not included



Dimensions



Warranty & Compliances

Warranty	Lifetime Limited Warranty
ASME/CSA	ASME A112.19.3-2008/CSA B45.4-08 (R2013) including Update No. 2 dated March2011
Uniform Plumbing Code (UPC®)	compliance
National Plumbing Code of Canada	compliance



Order Codes & Finishes/Colors

33 x22x 7 113050
 3 holes
 22g

Type:
 Job:
 Order Code:
 Approvals: