

33" X22" x 6" 4 Holes SS Sink Double Bowl

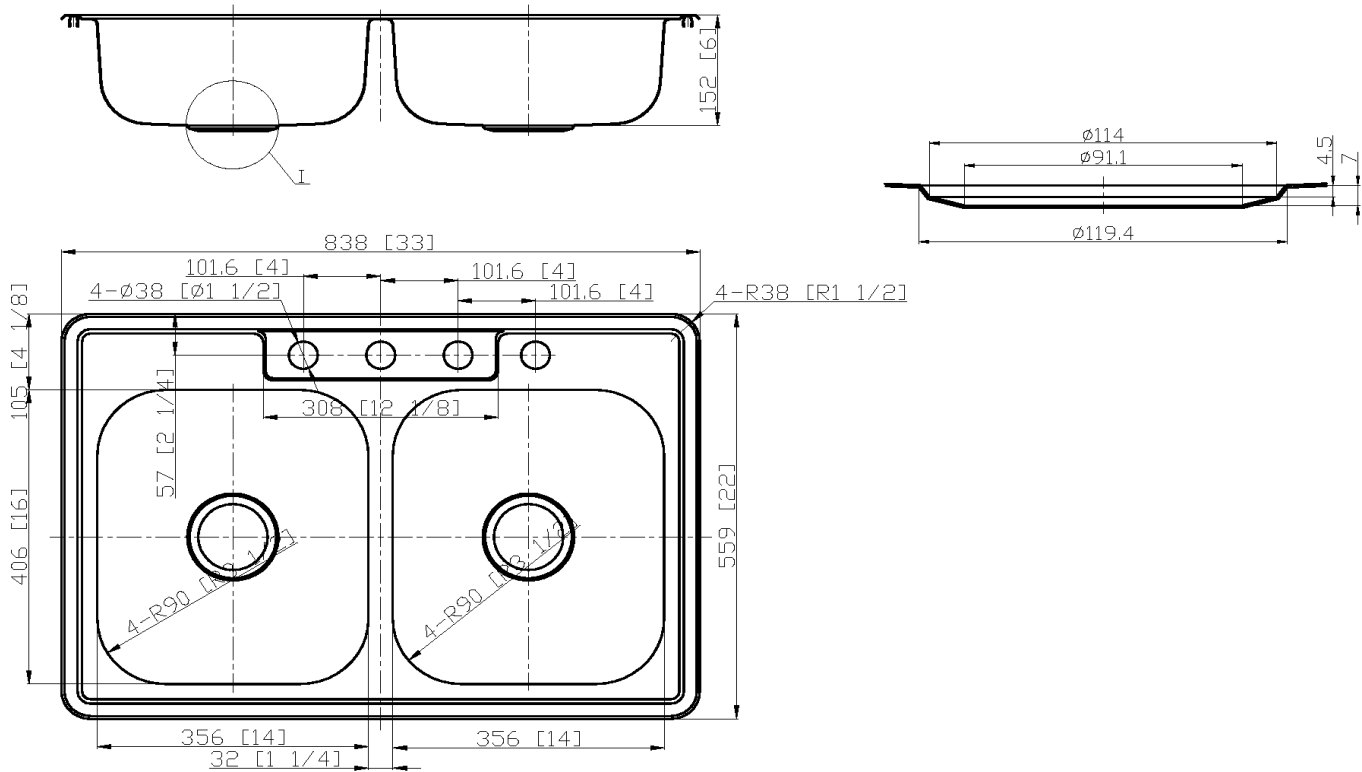


Specifications

- 33" x22" x 6" SS Sink
- Double Bowl
- Four pre-drilled 4" center faucet holes
- 23 gauge SS 304
- Bottom sound deaden pad & cutting template included
- Fixing clips included
- All brush finish
- Sink Strainer not included



Dimensions



Warranty & Compliances

Warranty	Lifetime Limited Warranty
ASME/CSA	ASME A112.19.3-2008/CSA B45.4-08 (R2013) including Update No. 2 dated March2011
Uniform Plumbing Code (UPC®)	compliance
National Plumbing Code of Canada	compliance



Order Codes & Finishes/Colors

33 x22x6 110676
4 holes

Type:
Job:
Order Code:
Approvals: