

25"X22"X6" 3 Holes SS Sink Single Bowl

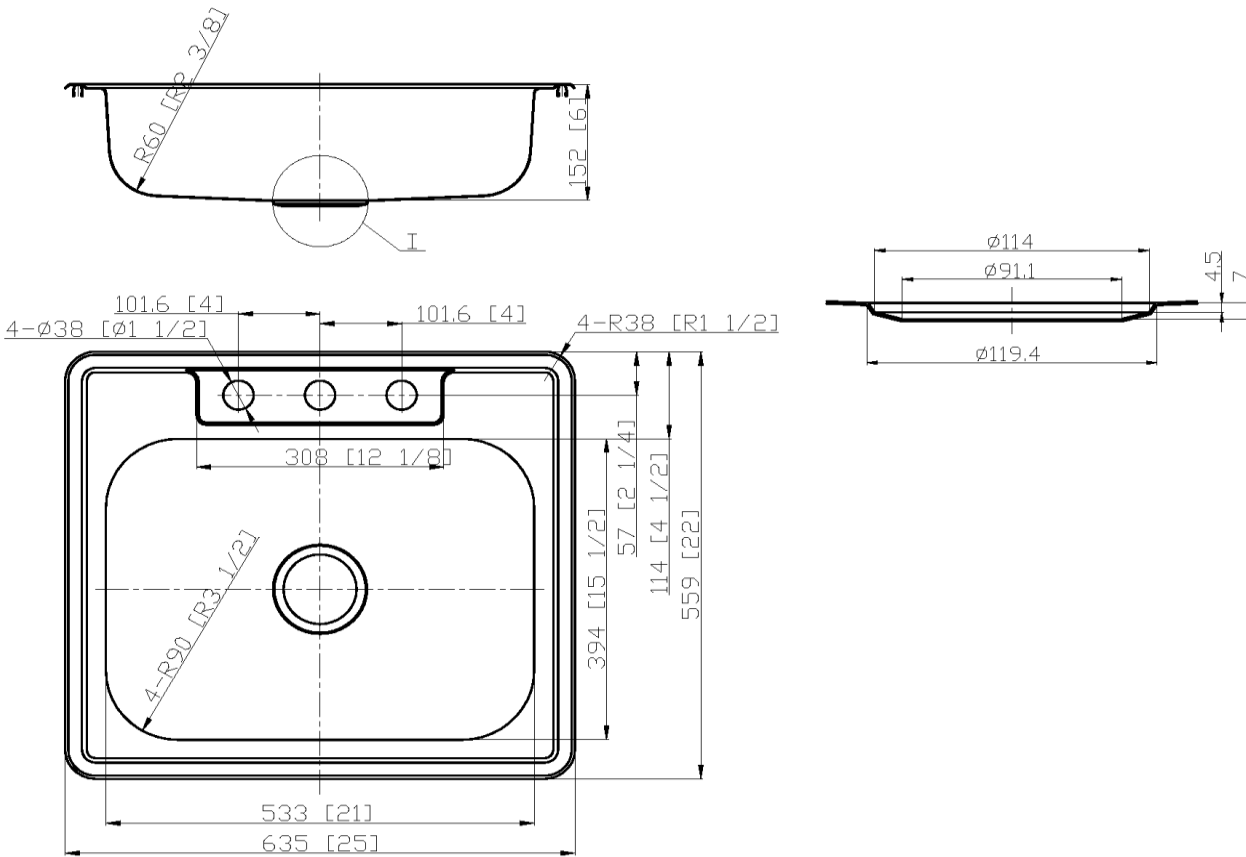


Specifications

- 25" x22" x 6" SS Sink
- Single Bowl
- Three pre-drilled 4" center-mounted faucet holes
- 23 gauge SS 304
- Bottom sound deaden pad & cutting template included
- Fixing clips included
- All brush finish
- Sink Strainer not included



Dimensions



Warranty & Compliances

Warranty	Lifetime Limited Warranty
ASME/CSA	ASME A112.19.3-2008/CSA B45.4-08 (R2013) including Update No. 2 dated March2011
Uniform Plumbing Code (UPC®)	compliance
National Plumbing Code of Canada	compliance



Order Codes & Finishes/Colors

25x22x6
3 holes

110619

Type:
Job:
Order Code:
Approvals: