



LONGMONT LED OUTDOOR WALL ORB SKU#180331

ASSEMBLY / INSTALLATION INSTRUCTIONS

Please read carefully and save these instructions, as you may need them at a later date.

CAUTION

Turn off the main power at the circuit breaker before installing the fixture, in order to prevent possible shock.

GENERAL

All electrical connections must be in accordance with local and National Electrical Code (N.E.C.) standards.

If you are unfamiliar with proper electrical wiring connections obtain the services of a qualified electrician. Remove the fixture and the mounting package from the box and make sure that no parts are missing by referencing the illustrations on the installation instructions. Tools are required when install this fixture.

REQUIRED TOOLS

Philips screwdriver

ASSEMBLY AND INSTALLATION

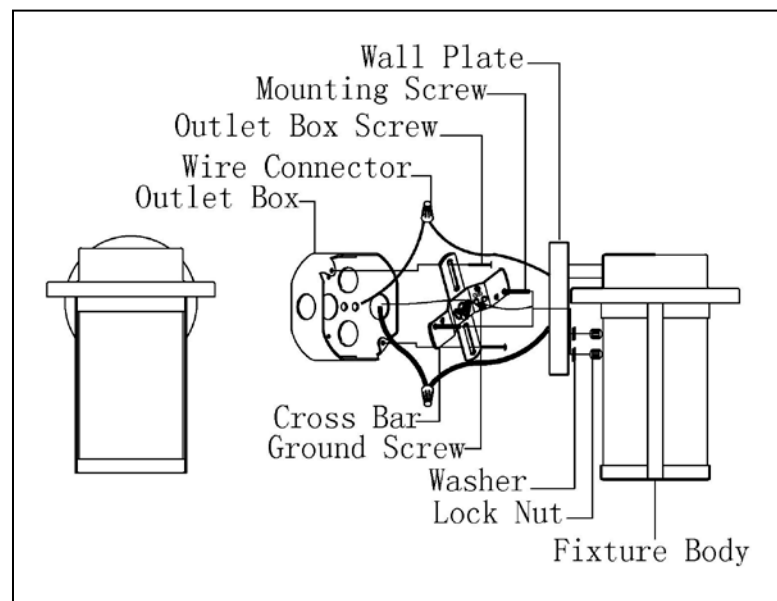
Turn off the power at fuse or circuit breaker

1. Carefully unpack the fixture; lay out all parts on a clean surface.
2. Fasten the CROSS BAR onto the OUTLET BOX by using 2 OUTLET BOX SCREWS provided.
3. Tie ground wire from OUTLET BOX and from fixture to the GROUND SCREW on the CROSS BAR.
Connect white wire from fixture to white wire (neutral wire) from supply circuit. Connect black wire from fixture to black wire (live wire) from supply circuit. Cover connections using provided WIRE CONNECTORS.

4. Place the WALL PLATE of FIXTURE BODY over the MOUNTING SCREWS, and secure them by using 2 WASHERS and LOCK NUTS provided.

5. Use silicone caulking to seal between wall canopy and wall. Leave bottom unsealed so moisture can drain out.

Turn on the power at fuse or circuit breaker.



ITEM#180331

***IF IN DOUBT ABOUT ELECTRICAL INSTALLATION,
CONSULT A LICENSED ELECTRICIAN.***

Customer Service: 1-800-558-8700