

CEILING FAN REMOTE CONTROLLER OPERATION AND INSTALLATION INSTRUCTIONS

(Please keep this instruction pamphlet.)

IMPORTANT

YOU MUST SET CEILING FAN TO HIGH SPEED AND LIGHT KIT (IF ANY)
TO BE ON POSITION BEFORE OPERATING REMOTE CONTROL.
THE LIGHT WILL BE TURNED ON ONCE AC POWER CONNECTED.

IMPORTANT POINTS TO REMEMBER:

1. Read and save these instructions.
2. Please note that all fixed wiring appliances should be installed by a qualified electrician.
3. The supply to the remote control receiver should be connected through a main switch, i.e. existing wall switch.
4. Disconnect from power supply at wall switch before working on remote control receiver or ceiling fan.
5. Install receiver into the ceiling fan canopy to ensure proper protection (see page 2).
6. This unit is to be used for the control of ceiling fan in a AC110/120V 60Hz power supply only.
7. Do not pull on or cut leads shorter.
8. Do not drop or bump the unit.
9. PLEASE NOTE: The battery will weaken with age and should be replaced before leaking takes place as this will damage the transmitter. Dispose of used battery properly; keep the battery out of reach of children.

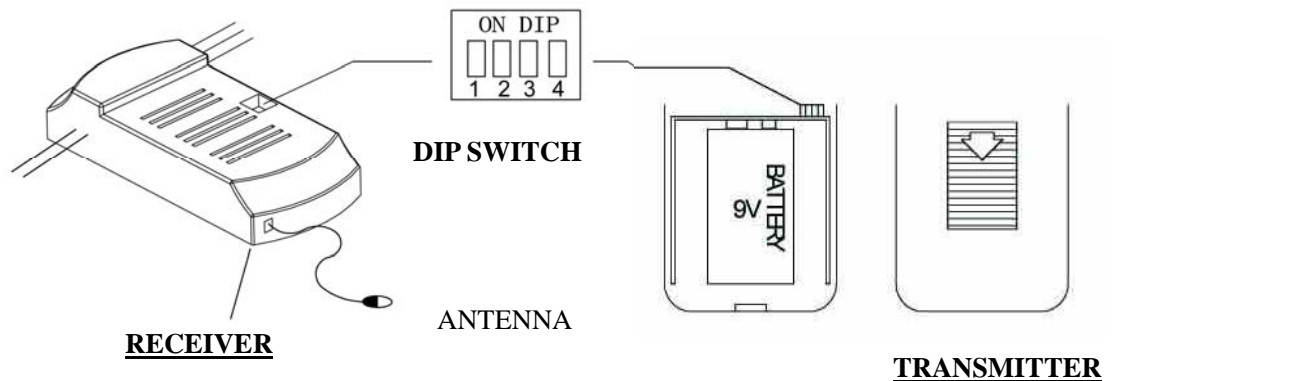
CAUTION: To reduce the risk of fire or injury, do not use this product in conjunction with any variable (rheostat) wall control.

CODE SWITCH

1. **CODE SWITCH:** Codes are set by pushing dip switches up or down. It is imperative that the code used for both transmitter and receiver is exactly the same; otherwise remote controller will not work. Please note the code switch will enable you to operate a second remote controller independently. For example, if you have two ceiling fans with 2 remote control units, set 2 different codes for each set of transmitter/receivers. This means you can operate each ceiling fan independently.

2. Your remote control is ready for use after battery installation.

Requires one 9-Volt battery.



FUNCTIONS OF TRANSMITTER

OFF : Turn off the ceiling fan.

HI : Turn on the fan at high speed

MED : Turn on the fan at medium speed

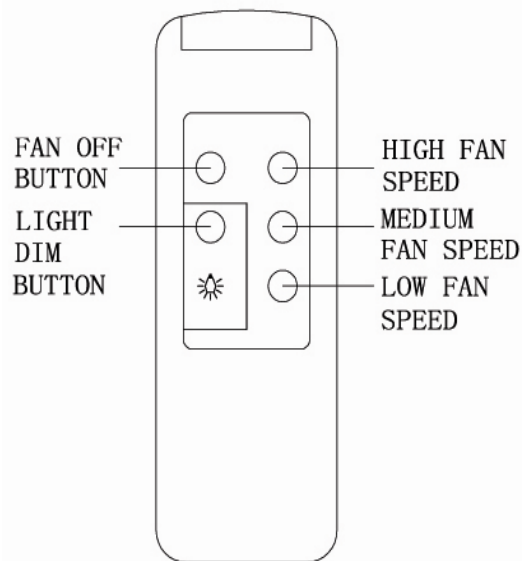
LOW : Turn on the fan at low speed

LIGHT DIM: The LIGHT DIM button will control the light brightness

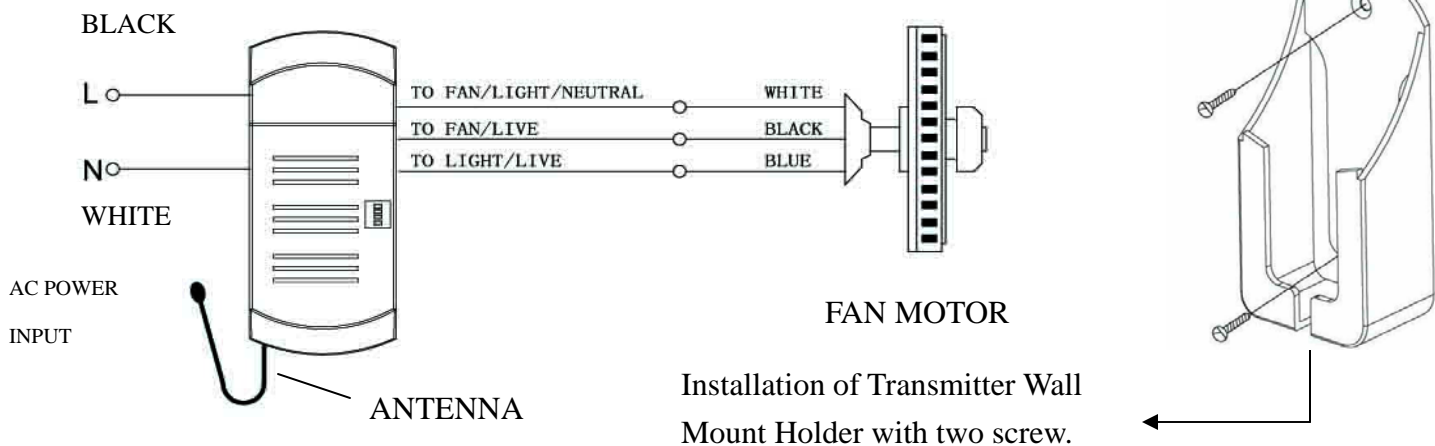
The light function is controlled by pressing the button. Hold button down to increase or decrease light .Tap button quickly to turn light off or on .

if you press the button in excess of 0.7 second it become a dimmer .

(Only use incandescent bulbs)



Ceiling Fan Remote Control Wiring Connection

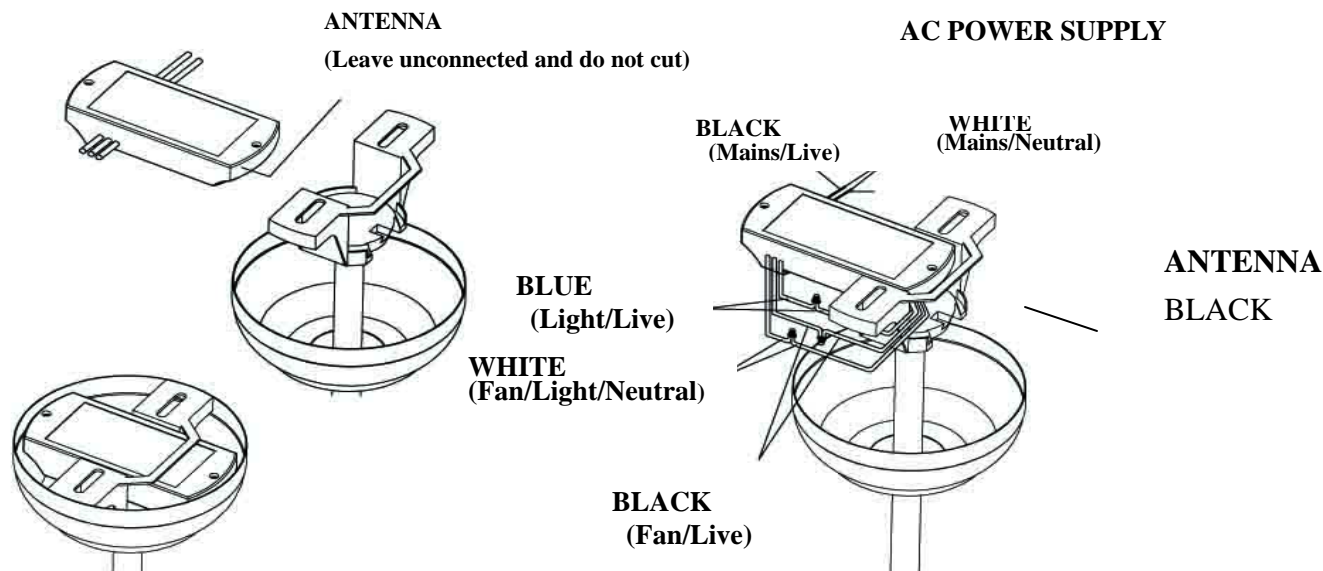


Installation of Transmitter Wall Mount Holder with two screw.

INSTALLATION INSTRUCTIONS

CAUTION: INCORRECT WIRE CONNECTION WOULD DAMAGE THIS RECEIVER.

1. Ceiling fan must be set a HIGH speed and light kit (if any) at ON position by pulling the "Pull Switch" after installation.
2. Once the connection has been made, the receiver inserts into the drop rod hanging bracket. The canopy comes up to cover the receiver and bracket.



VIEW AFTER INSTALLATION