

# IRONWOOD Privacy Lever

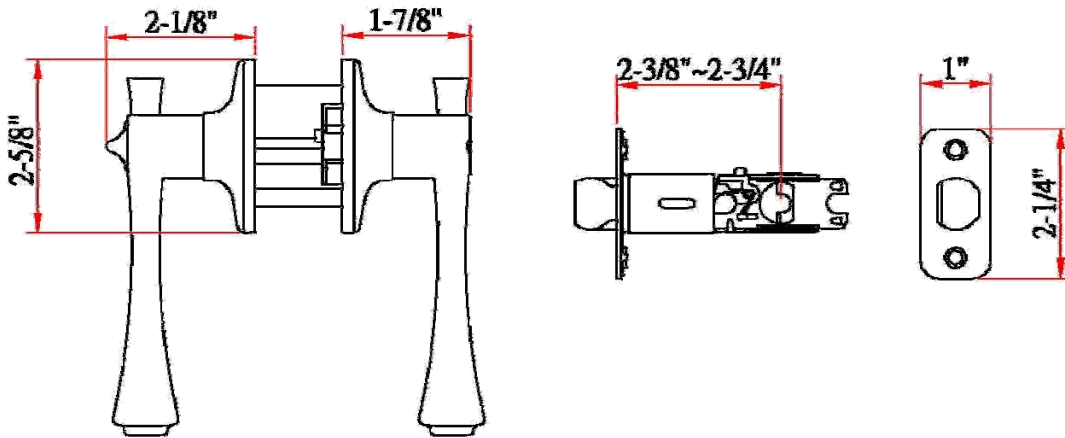


## Specifications

<b>Latch Type</b>	2-Way Latch & Universal Latch available
<b>Door Prep</b>	Cross bore 2-1/8" dia (54mm). Edge bore 1" dia (25mm)
<b>Backset</b>	Adjustable to 2-3/8" or 2-3/4"
<b>Door Thickness</b>	1-3/8" - 1-3/4" door standard
<b>Cylinder</b>	—
<b>Faceplate</b>	1" x 2-1/4" radius corner. (Square and drive-in also available on Universal)
<b>Strike</b>	Standard radius corner . Other options available.
<b>Latch Bolt</b>	Full 1/2" throw. Nickel plated.
<b>Door Handing</b>	Non-handed. Reversible for Left or Right hand doors.
<b>Keyway</b>	—
<b>Keyed Alike</b>	—



## Dimensions



## Warranty & Compliances

<b>Warranty</b>	Limited Lifetime Mechanical / 5 year Finish
<b>ANSI/BHMA</b>	Meets ANSI Grade 3 specification
<b>ADA</b>	ADA Compliant (4.13.9)
<b>UL</b>	N/A



ADA COMPLIANT

## Order Codes

<i>Box Pack</i>	<b>2W</b>	<b>Universal</b>
<b>Satin Nickel (US15)</b>	755405	755447
<b>Rustic Pewter</b>	701110	701169
<b>Statuary Bronze</b>	701227	701276
<i>View Pack</i>		
<b>Statuary Bronze</b>	701441	



**Type:**

**Job:**

**Order Code:**

**Approvals:**

Design House reserves the right to make changes in materials, specifications & models at any time. Design House also reserves the right to discontinue product without notice or obligation.