

JUNEAU 3 LT Chandelier

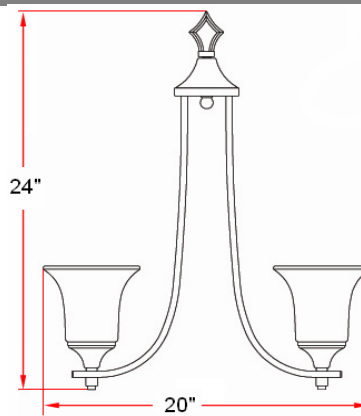


Specifications

Material Construction:	Formed Steel
Lens:	Frosted glass
Lamp Type & Wattage:	Three 13W GU 24 CFL lamps (2700K)
Mounting:	Ceiling mounted
Finish:	Oil Rubbed Bronze (US10B)
Voltage:	120V
Weight:	6.85 lbs
Companion Fixtures:	Chandeliers, wall mounts, pendants & ceiling mounts



Dimensions



Warranty & Compliances

Warranty	2 Year Limited Warranty
UL	UL/cUL listed; Suitable for damp locations
ADA	N/A
EnergyStar	compliant



Companion Fixtures

3 LT Chandelier	515783	
1 LT Wall Sconce	515874	
1 LT Wall Mount	515882	
2 LT Wall Mount	515890	
3 LT Vanity Light	515908	
4 LT Vanity Light	515916	
1 LT Ceiling Mount	515841	
2 LT Ceiling Mount	515858	
3 LT Ceiling Mount	515866	
5 LT Chandelier	515791	
9 LT Chandelier	515809	
Island Light	515817	
Pendant	515825	
Mini Pendant	515833	

Type:

Job:

Order Code:

Approvals:

Design House reserves the right to make changes in materials, specifications & models at any time. Design House also reserves the right to discontinue product without notice or obligation.