

# 6" Recessed Energy Saving Kits

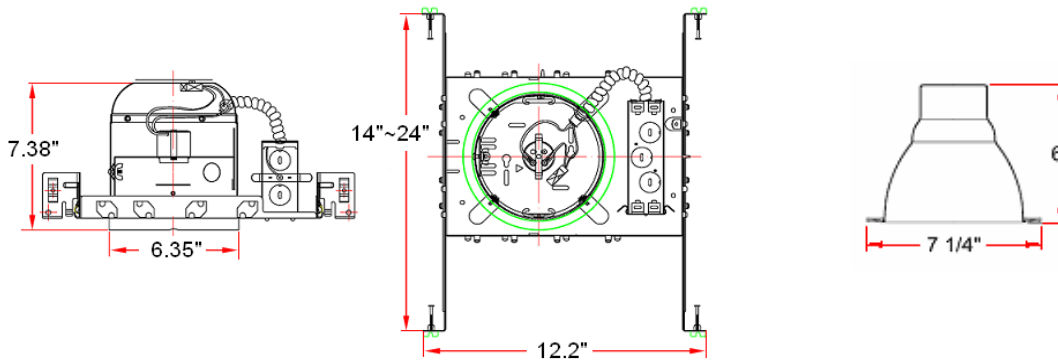


## Specifications

<b>Housing Material:</b>	Formed steel; airtight
<b>Trim Construction:</b>	White ring trim with high performance reflector
<b>Trim Material:</b>	Aluminum
<b>Installation:</b>	6" new construction housing with hanger bars, 6" IC and Non-IC adaptable housing
<b>Voltage:</b>	120V
<b>Weight:</b>	3.74 lbs.
<b>Lamp type and wattage:</b>	One 13W/26W quad tube compact fluorescent lamp (included)



## Dimensions



## Warranty & Compliances

<b>Warranty</b>	5 Year Limited Warranty
<b>UL</b>	UL Listed; Suitable for damp locations
<b>ADA</b>	N/A
<b>EnergyStar</b>	N/A
<b>WA State</b>	Washington State Energy Code compliant



## Order Codes

13W CFL	515023
26W CFL	515031

Type:

Job:

Order Code:

Approvals: