

# Richland Two Door Corner Vanity

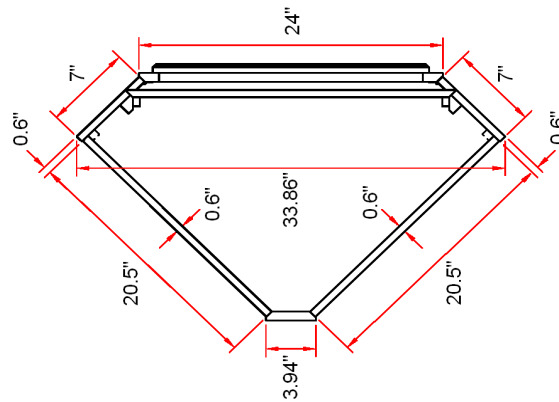
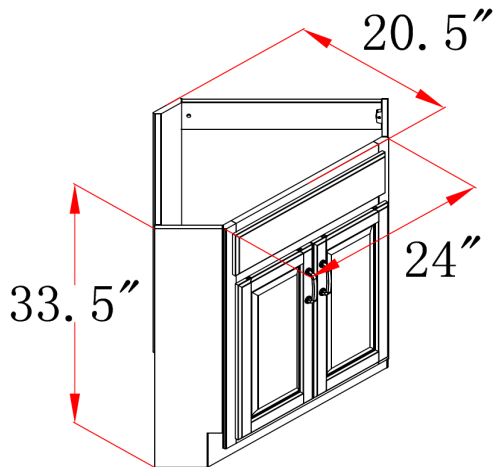


## Specifications

- Cam-lock connectors for fast & easy assembly
- Raised panel door design
- Solid wood door frames and fake drawer front
- Antique brass hardware with TruMatch™ finish
- Durable water-resistant finish
- Vanity top sold separately



## Dimensions



## Warranty & Compliances

**Warranty** Limited 1 year warranty  
**California 93120** Compliant



## Order Codes & Finishes/Colors

24" w x 21.5" d x 33.5" h

530527

<b>Type:</b>
<b>Job:</b>
<b>Order Code:</b>
<b>Approvals:</b>

Design House reserves the right to make changes in materials, specifications & models at any time. Design House also reserves the right to discontinue product without notice or obligation.