

Residential Safety Grab Bar

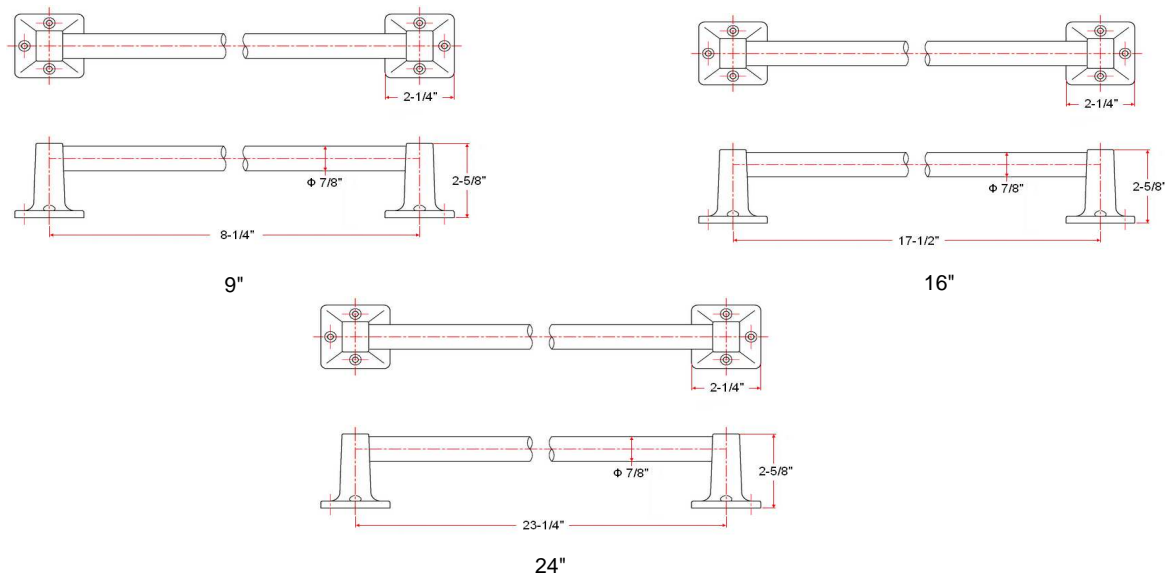


Specifications

Product Dimensions	7/8" diameter tubing
Metal Material & Gauge	304 Stainless steel tubing 15 gauge
Mounting Plate Style	no mounting plate
Mounting Screw Size	1/4x1/2", 8pcs
Clearance from Wall	1-1/2" wall clearance
Finish	Polished Chrome (US26)
Weight Limit	withstands 300 lbs. Pull force



Dimensions



Warranty & Compliances

Warranty	1 Year Limited Warranty
ADA Compliant	N/A



Order Codes & Finishes/Colors

Bar Length

9"	514216	
16"	514208	
24"	514190	

Type:
Job:
Order Code:
Approvals:

Design House reserves the right to make changes in materials, specifications & models at any time. Design House also reserves the right to discontinue product without notice or obligation.