

# MILLBRIDGE Dual Handle Kitchen Faucet (No Sprayer)

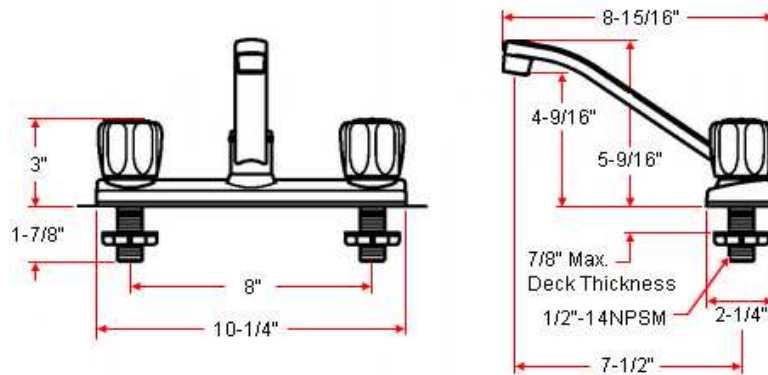


## Specifications

<b>Flow Rate (GPM)</b>	1.8 GPM @ 60 psi
<b>Material Content</b>	Brass body with plastic handle
<b>Pop-Up Drain</b>	N/A
<b>Spout Reach</b>	7-1/2"
<b>Cartridge</b>	Washerless
<b>Lever Handle Operation</b>	(1/4) quarter turn stop
<b>Installation Type</b>	3-hole, 8" center mount
<b>Sprayer</b>	N/A



## Dimensions



## Warranty & Compliances

<b>Warranty</b>	Lifetime Limited Warranty
<b>IAPMO/UPC</b>	UPC & cUPC Compliant
<b>ASME</b>	ASME A112.18.1-05
<b>ANSI</b>	Compliant
<b>ADA</b>	non-compliant
<b>NSF</b>	Compliant
<b>CSA</b>	CSA B125.1-05



## Order Codes & Finishes/Colors

**Polished Chrome (US26)**      529032     

**Type:**

**Job:**

**Order Code:**

**Approvals:**

Design House reserves the right to make changes in materials, specifications & models at any time. Design House also reserves the right to discontinue product without notice or obligation.