

GEORGETOWN Roman Tub Faucet with Sprayer

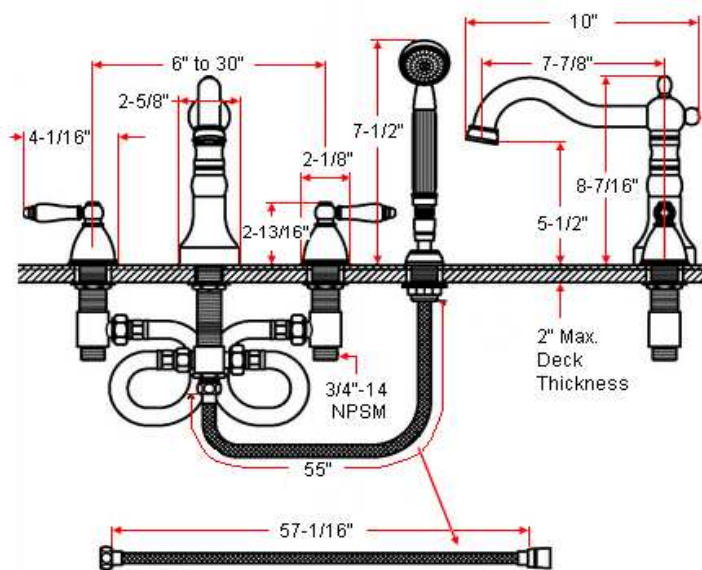


Specifications

| | |
|-------------------------------|---|
| Flow Rate (GPM) | 11.57 GPM @ 20 psi |
| Material Content | Brass body with brass and zinc handle |
| Spout dimensions | 7-7/8" |
| Cartridge | Ceramic disk Cartridge |
| Hand held sprayer | External ABS pull-out sprayer (57" soft hose) |
| Lever handle operation | 1/4 quarter turn stop |
| Installation Type | 4-hole, 8-16" variable width base |



Dimensions



Warranty & Compliances

| | |
|--------------------|---------------------------|
| Warranty | Lifetime Limited Warranty |
| IAPMO/ cUPC | UPC & CUPC Compliant |
| ASME | ASME A112.18.1-05 |
| ANSI | ANSI Compliant |
| ADA | Compliant |
| CSA | CSA B125.1-05 |



Order Codes & Finishes/Colors

| | | |
|----------------------------------|--------|--|
| Satin Nickel (US15) | 528497 | |
| Oil Rubbed Bronze (US10B) | 528505 | |

| |
|--|
| Type: Job: Order Code: Approvals: |
|--|

Design House reserves the right to make changes in materials, specifications & models at any time. Design House also reserves the right to discontinue product without notice or obligation.