

MILLBRIDGE (Satin Nickel) 1 LT Ceiling Mount (5" x 7^{5/8"})

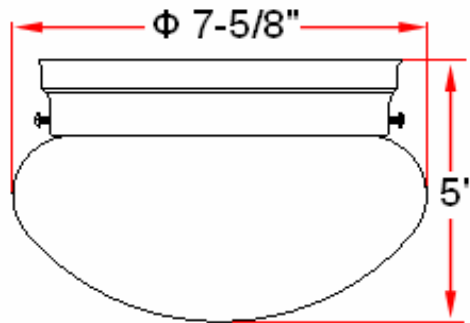


Specifications

| | |
|---------------------------------|--|
| Material Construction: | Formed Steel |
| Lens: | Alabaster glass |
| Lamp Type & Wattage: | One 60W, medium base incandescent lamp |
| Mounting: | Ceiling mounted |
| Finish: | Satin Nickel (US15) |
| Voltage: | 120V |
| Weight: | 1.4 lbs |
| Companion Fixtures: | Chandeliers, wall sconce, wall mounts, pendants & ceiling mounts |



Dimensions



Warranty & Compliances

| | |
|-------------------|---|
| Warranty | 10 Year Limited Warranty |
| UL | UL/cUL listed; Suitable for dry locations |
| ADA | N/A |
| EnergyStar | N/A |



Companion Fixtures

| | | |
|--|--------|--|
| 1 LT Ceiling Mount (5" x 7^{5/8"}) | 511576 | |
| 1 LT Wall Sconce | 511584 | |
| 1 LT Wall Mount | 511618 | |
| 2 LT Wall Mount | 511600 | |
| 1 LT Ceiling Mount (6^{3/4"} x 6") | 511592 | |
| 2 LT Ceiling Mount (5" x 9^{1/2"}) | 511568 | |
| 2 LT Ceiling Mount (7" x 13^{1/4"}) | 511550 | |
| 3 LT Chandelier | 511543 | |
| 5 LT Chandelier | 511535 | |
| Pendant | 511626 | |
| Mini Pendant | 511634 | |

Type:

Job:

Order Code:

Approvals:

Design House reserves the right to make changes in materials, specifications & models at any time. Design House also reserves the right to discontinue product without notice or obligation.