

# ODESSA Outdoor Downlight

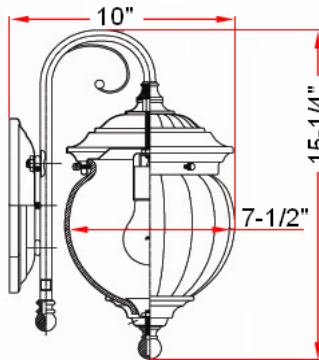


## Specifications

<b>Material Construction:</b>	Formed Steel
<b>Lens:</b>	Frosted glass
<b>Lamp Type &amp; Wattage:</b>	One 60W, medium base incandescent lamp
<b>Mounting:</b>	Wall mounted
<b>Finish:</b>	Antique Brass (US5)
<b>Voltage:</b>	120V
<b>Weight:</b>	3.56 lbs
<b>Companion Fixtures:</b>	Ceiling mount, Post Light, Uplight



## Dimensions



## Warranty & Compliances

<b>Warranty</b>	10 Year Limited Warranty
<b>UL</b>	UL/cUL listed; Suitable for damp locations
<b>ADA</b>	N/A
<b>EnergyStar</b>	N/A



## Companion Fixtures

<b>Downlight (shown)</b>	509703	
<b>Uplight</b>	509695	
<b>Post Light</b>	509729	
<b>Ceiling Mount</b>	509687	

Type:

Job:

Order Code:

Approvals:

Design House reserves the right to make changes in materials, specifications & models at any time. Design House also reserves the right to discontinue product without notice or obligation.