

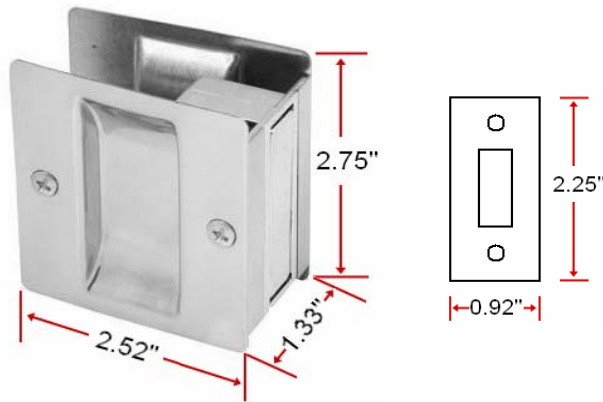
Door Hardware Pocket Door Passage



Specifications

Product Dimensions	2.75" x 2.52" x 1.33" (70mm x 64mm x 33.8mm)
Metal Material	solid brass
Integrated Pull	1" x 2-9/16"
Side Plate	included, solid brass
Packaging	poly bag

Dimensions



Warranty & Compliances

Warranty	Limited 1 year warranty
ANSI/BHMA	N/A



Order Codes

Box Pack

Polished Brass (US3)	202804
Satin Nickel (US15)	202812
Oil Rubbed Bronze (US10B)	202820



Type:

Job:

Order Code:

Approvals:

Design House reserves the right to make changes in materials, specifications & models at any time. Design House also reserves the right to discontinue product without notice or obligation.