

52" MILLBRIDGE Downrod Fans

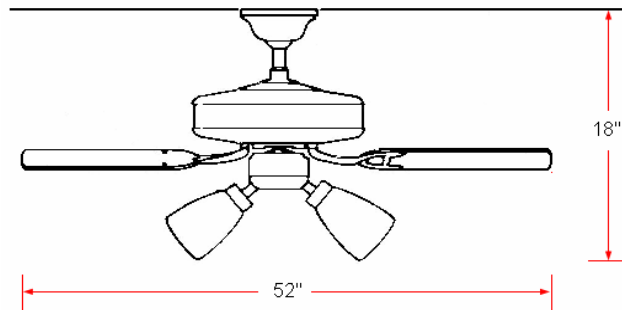


Specifications

Material Construction:	Steel
Motor Size:	153mm Dia x 12mm H
Diameter:	52"
Downrod:	1/2" dia. X 6" Long
Mounting:	Tri-mount adaptable (downrod, close-to-ceiling & vaulted ceiling)
Blade Details:	5 blades; 11° pitch; reversible
Blade Color:	Reversible: Dark Mahogany/Light Maple
Speed Control:	3 speed pull chain control
Voltage:	120V
Weight:	17 lbs.
Light Kit - Lens	Frosted glass lenses
Light Kit - Lamp Info	3 x 60W, candelabra-based incandescent lamps (included)
Airflow at High Speed:	4950 CFM
Electricity Usage:	50 Watts
Airflow Efficiency:	99 CFM/W



Dimensions



Warranty & Compliances

Warranty	10 Year Limited Warranty
UL	UL Listed



Order Codes

Satin Nickel (US15)	156000
Oil Rubbed Bronze (US10B)	153403
Polished Brass (US3)	156646
Antique Brass (US7)	155978
White	156638



Type:

Job:

Order Code:

Approvals:

Design House reserves the right to make changes in materials, specifications & models at any time. Design House also reserves the right to discontinue product without notice or obligation.