

Wyndham One Door Vanity

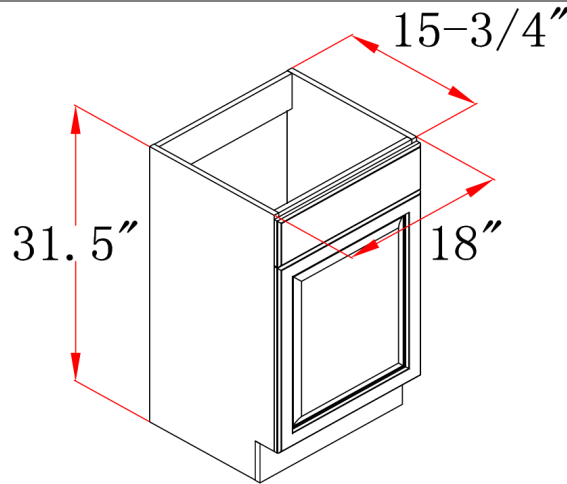


Specifications

- Cam-lock connectors for fast & easy assembly
- Durable thermofoil, full overlay door design
- Frameless design for increased storage space and accessibility
- Silver finish hardware
- White Semi-Gloss finish
- Vanity top sold separately



Dimensions



Warranty & Compliances

Warranty Limited 1 year warranty
California 93120 Compliant



Order Codes & Finishes/Colors

18"w x 16"d x 31.5"h

531723

Type:
Job:
Order Code:
Approvals:

Design House reserves the right to make changes in materials, specifications & models at any time. Design House also reserves the right to discontinue product without notice or obligation.