

WESTMOOR High Arc Lavatory Faucet

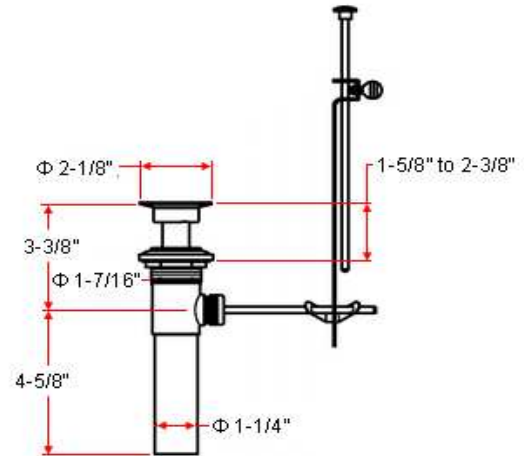
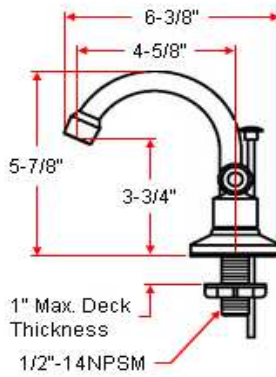
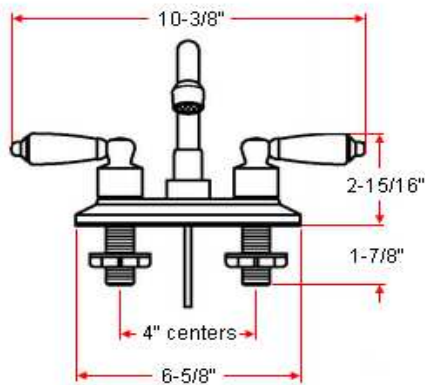


Specifications

Flow Rate (GPM)	1.88 GPM @ 60 psi
Material Content	Brass body with brass and zinc handle
Pop-Up Drain	Brass and stainless steel pop-up
Spout Reach	4-5/8"
Cartridge	Washerless
Lever Handle Operation	(1/4) quarter turn stop
Installation Type	3-hole, 4" center mount



Dimensions



Warranty & Compliances

Warranty	Lifetime Limited Warranty
IAPMO/UPC	UPC & cUPC Compliant
ASME	ASME A112.18.1-05
ANSI	Compliant
ADA	Compliant
NSF	Compliant
CSA	CSA B125.1-05



Order Codes & Finishes/Colors

Polished Chrome (US26) 529289



Type:

Job:

Order Code:

Approvals:

Design House reserves the right to make changes in materials, specifications & models at any time. Design House also reserves the right to discontinue product without notice or obligation.