

Universal Tub & Shower Valve

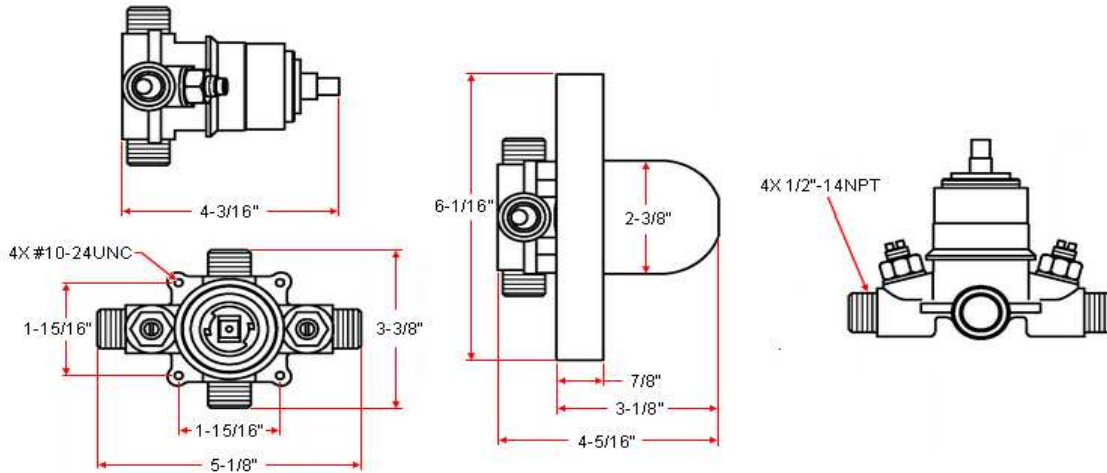


Specifications

Material Content: Brass body, brass waterway
Cartridge: Ceramic Disc Cartridge; Pressure Balanced
Plastic Guard: Included



Dimensions



Warranty & Compliances

Warranty Lifetime Limited Warranty
IAPMO/UPC UPC & cUPC Compliant
ASME ASME A112.18.1-05
ANSI Compliant
CSA CSA B125.1-05



Order Codes & Finishes/Colors

520791

Type:
Job:
Order Code:
Approvals:

Design House reserves the right to make changes in materials, specifications & models at any time. Design House also reserves the right to discontinue product without notice or obligation.