

# Perth Single Handle Vessel Faucet

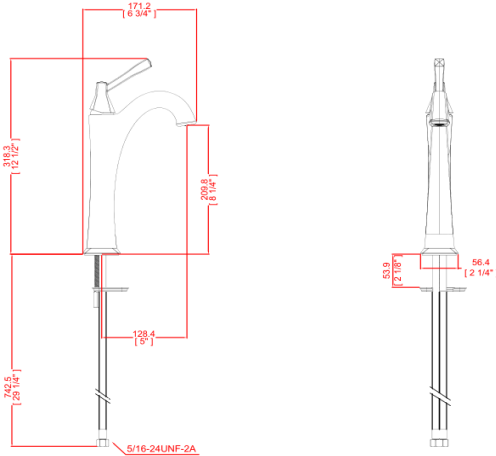


## Specifications

<b>Handle</b>	Zinc handle, 1/4 quarter turn stop
<b>Spout</b>	Brass
<b>Cartridge</b>	Ceramic disc Cartridge
<b>Waterway</b>	Brass waterway
<b>Escutcheon</b>	Metal
<b>Max Waterflow</b>	1.5GPM@ 60 PSI
<b>Spout Reach</b>	5"
<b>Spout Height</b>	8 1/4"
<b>Mouting Holes</b>	1
<b>Max Deck Thickness</b>	2 1/8"
<b>Pop up</b>	Metal



## Dimensions



## Warranty & Compliances

<b>Warranty</b>	Lifetime Limited Warranty, Lifetime Limited Finish Warranty
<b>IAPMO/UPC</b>	CUPC compliant
<b>ASME</b>	ASME A112.18.1/ CSA B125.1
<b>NSF/ANSI</b>	NSF/ANSI 61
<b>Lead Free</b>	Fed. Public Law 111-380 (1/2014)
<b>ADA</b>	Compliant



## Order Codes & Finishes/Colors

Satin Nickel (US15)

546911



Type:  
 Job:  
 Order Code:  
 Approvals:

Design House reserves the right to make changes in materials, specifications & models at any time. Design House also reserves the right to discontinue product without notice or obligation.