

GEORGETOWN Tub & Shower Faucet

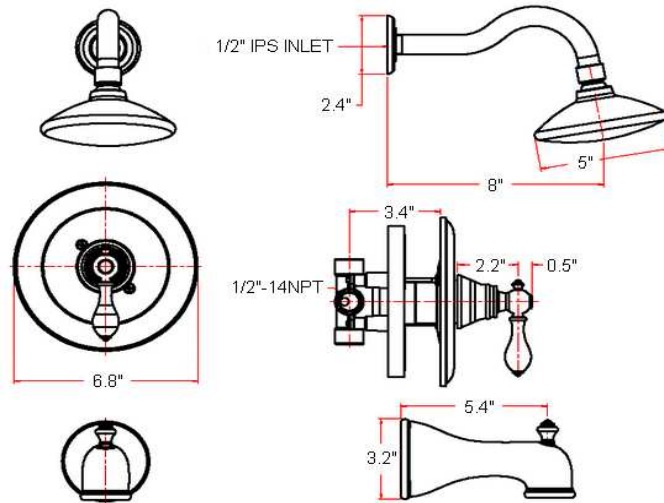


Specifications

Material Content	Brass body with zinc alloy handle and spout
Cartridge	Ceramic Disc Cartridge; Pressure Balanced
Lever Handle Operation	(1/4) quarter turn stop
Spout	Pull-up diverter spout
Showerhead	Single Function



Dimensions



Warranty & Compliances

Warranty	Lifetime Limited Warranty
IAPMO/UPC	UPC & cUPC Compliant
ASME	ASME A112.18.1
ANSI	Compliant
ADA	Compliant
CSA	Compliant



Order Codes & Finishes/Colors

Satin Nickel (US15)	526905		
Oil Rubbed Bronze (US10B)	526913		
Polished Chrome (US16)	526897		
Rustic Pewter	525907		

Type:

Job:

Order Code:

Approvals:

Design House reserves the right to make changes in materials, specifications & models at any time. Design House also reserves the right to discontinue product without notice or obligation.