

MILLBRIDGE Triple Handle Tub & Shower Faucet

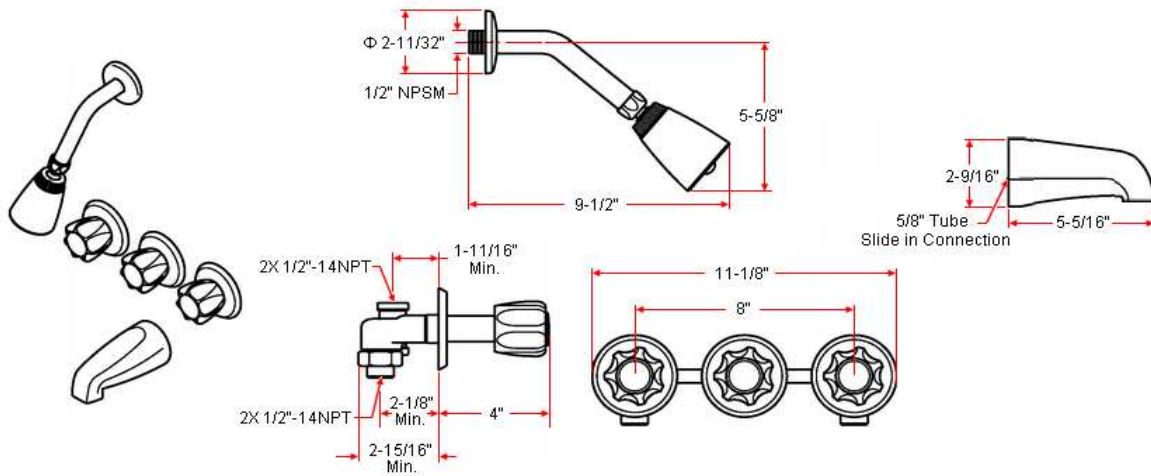


Specifications

Material Content	Brass body with plastic handle and zinc spout
Cartridge	Washerless Cartridge
Lever Handle Operation	(1/4) quarter turn stop
Spout	No pull-up diverter spout



Dimensions



Warranty & Compliances

Warranty	Lifetime Limited Warranty
IAPMO/UPC	UPC & cUPC Compliant
ASME	ASME A112.18.1-05
ANSI	Compliant
ADA	non-compliant
CSA	CSA B125.1-05



Order Codes & Finishes/Colors

Polished Chrome (US26)

529248



Type:

Job:

Order Code:

Approvals:

Design House reserves the right to make changes in materials, specifications & models at any time. Design House also reserves the right to discontinue product without notice or obligation.