

MILLBRIDGE Roman Tub Faucet

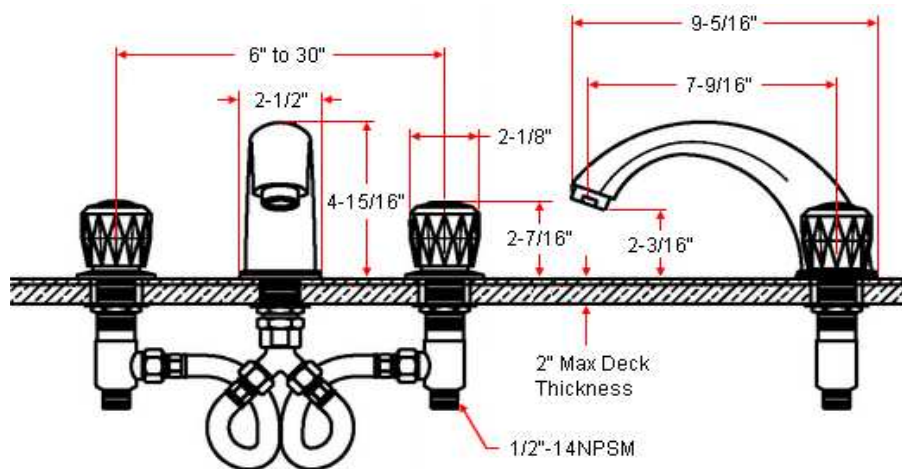


Specifications

Flow Rate (GPM)	15.3 GPM @ 40 psi
Material Content	Brass body with plastic handle
Spout dimensions	7-9/16"
Cartridge	Ceramic disk cartridge
Lever handle operation	1/4 quarter turn stop
Hand held sprayer	Not included
Installation Type	3-hole, 8-16" variable width base



Dimensions



Warranty & Compliances

Warranty	Lifetime Limited Warranty
IAPMO/ cUPC	UPC & cUPC Compliant
ASME	ASME A112.18.1-05
ANSI	ANSI Compliant
ADA	non-compliant
CSA	CSA B125.1-05



Order Codes & Finishes/Colors

Satin Nickel (US15)	528232	
Polished Chrome (US26)	527309	

Type: Job: Order Code: Approvals:
--

Design House reserves the right to make changes in materials, specifications & models at any time. Design House also reserves the right to discontinue product without notice or obligation.