

# MILLBRIDGE Dual Handle Tub & Shower Faucet

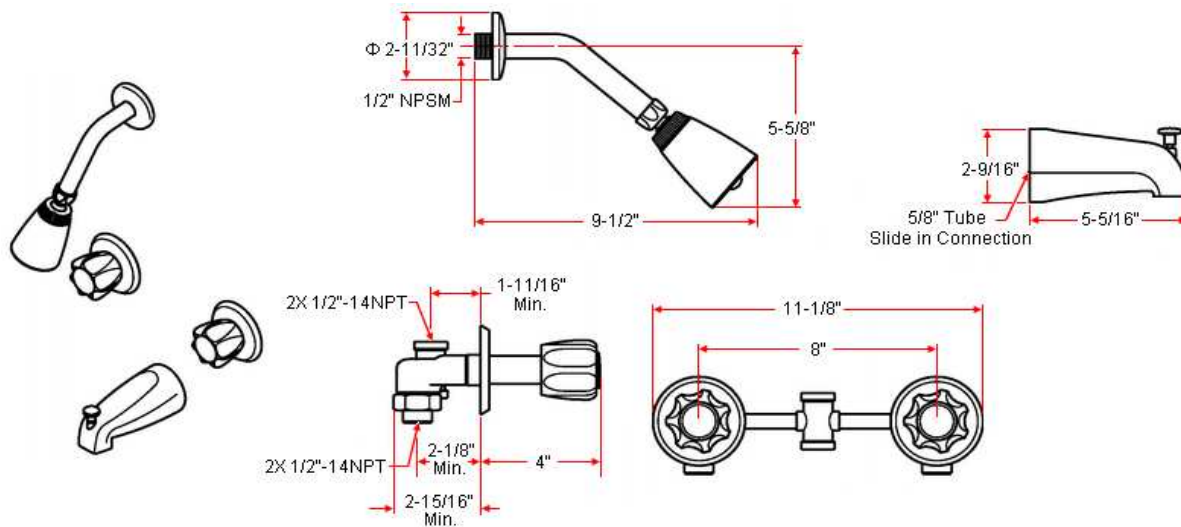


## Specifications

|                               |   |
|-------------------------------|---|
| <b>Material Content</b>       | Brass body with plastic handle and zinc spout |
| <b>Cartridge</b>              | Washerless Cartridge                          |
| <b>Lever Handle Operation</b> | (1/4) quarter turn stop                       |
| <b>Spout</b>                  | Pull-up diverter spout                        |



## Dimensions



## Warranty & Compliances

|                  |                           |
|------------------|---------------------------|
| <b>Warranty</b>  | Lifetime Limited Warranty |
| <b>IAPMO/UPC</b> | UPC & cUPC Compliant      |
| <b>ASME</b>      | ASME A112.18.1-05         |
| <b>ANSI</b>      | Compliant                 |
| <b>ADA</b>       | non-compliant             |
| <b>CSA</b>       | CSA B125.1-05             |



## Order Codes & Finishes/Colors

Polished Chrome (US26)

529222



Type:

Job:

Order Code:

Approvals:

Design House reserves the right to make changes in materials, specifications & models at any time. Design House also reserves the right to discontinue product without notice or obligation.