

IRONWOOD Lavatory Faucet

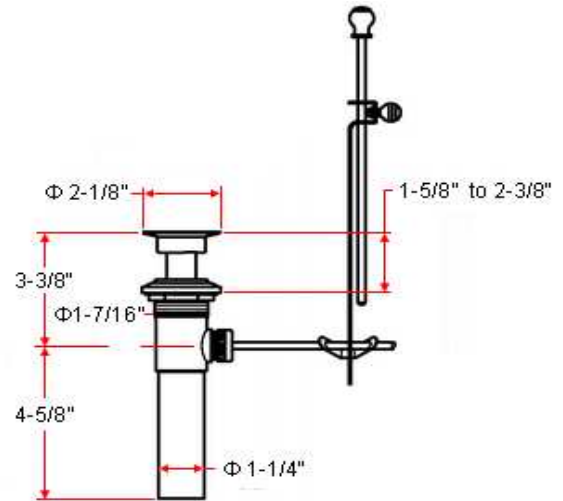
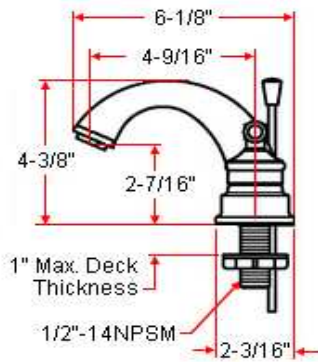
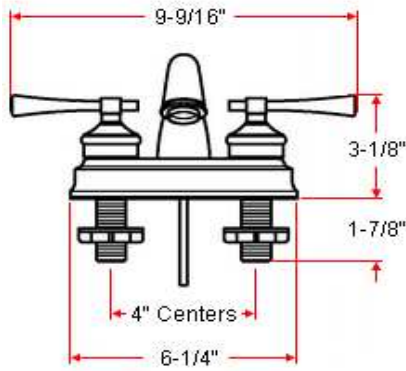


Specifications

Flow Rate (GPM)	1.5 GPM @ 60 psi
Material Content	Brass body with brass handle
Pop-Up Drain	Brass and stainless steel pop-up
Spout Reach	4-9/16"
Cartridge	Washerless
Lever Handle Operation	(1/4) quarter turn stop
Installation Type	4" center mount



Dimensions



Warranty & Compliances

Warranty	Lifetime Limited Warranty
IAPMO/UPC	UPC & cUPC Compliant
ASME	ASME A112.18.1-05
WaterSense	Compliant
ANSI	Compliant
ADA	Compliant
NSF	Compliant
CSA	CSA B125.1-05



Order Codes & Finishes/Colors

Satin Nickel (US15)	528471	
Statuary Bronze	528422	

Type:

Job:

Order Code:

Approvals: