

COSMO Tub & Shower Faucet

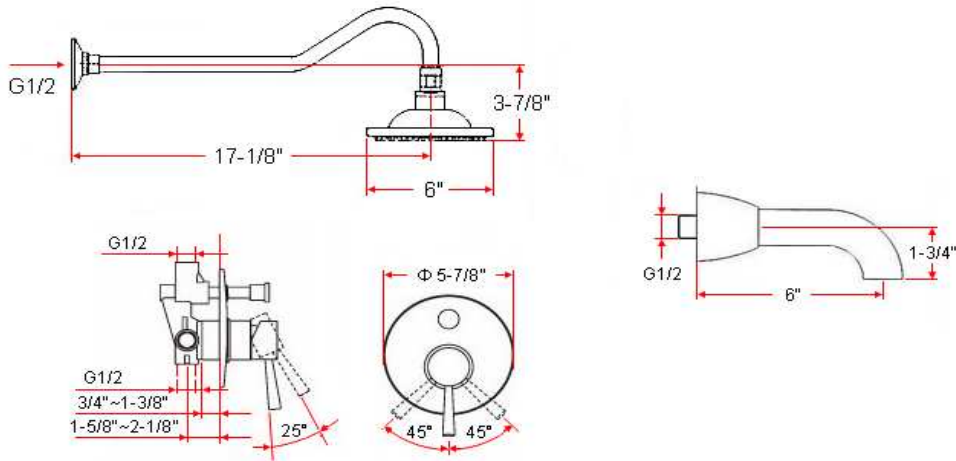


Specifications

Material Content	Brass body with zinc handle and spout
Cartridge	Ceramic Disc Cartridge; Pressure Balanced
Lever Handle Operation	(1/4) quarter turn stop
Spout	No pull-up diverter spout



Dimensions



Warranty & Compliances

Warranty	Lifetime Limited Warranty
IAPMO/UPC	N/A
ASME	ASME A112.18.1-05
ANSI	Compliant
ADA	Compliant
CSA	CSA B125.1-05



Order Codes & Finishes/Colors

Polished Chrome (US26)	527960		
-------------------------------	--------	--	--

Type:

Job:

Order Code:

Approvals:

Design House reserves the right to make changes in materials, specifications & models at any time. Design House also reserves the right to discontinue product without notice or obligation.