

BOULDER CREEK Kitchen Faucet

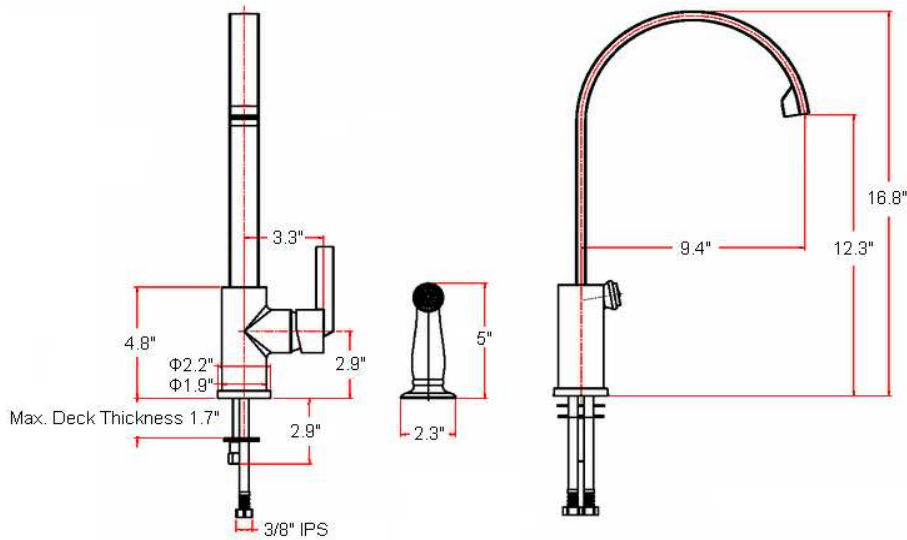


Specifications

Flow Rate (GPM)	1.85 GPM @ 60 psi
Material Content	Brass body with zinc alloy handle
Pop-Up Drain	N/A
Spout Reach	9.4"
Cartridge	Ceramic disk Cartridge
Lever Handle Operation	(1/4) quarter turn stop
Installation Type	Single hole mount with optional deck plate included as shown
Sprayer	External ABS pull-out sprayer (46" soft hose)



Dimensions



Warranty & Compliances

Warranty	Lifetime Limited Warranty
IAPMO/UPC	UPC & cUPC Compliant
ASME	ASME A112.18.1
ANSI	Compliant
ADA	Compliant
NSF	Compliant
CSA	Compliant



Order Codes & Finishes/Colors

Satin Nickel (US15)	526749	
Oil Rubbed Bronze (US10B)	526731	
Polished Chrome (US26)	526756	

Type:

Job:

Order Code:

Approvals:

Design House reserves the right to make changes in materials, specifications & models at any time. Design House also reserves the right to discontinue product without notice or obligation.