

Track Light Accessories End Caps

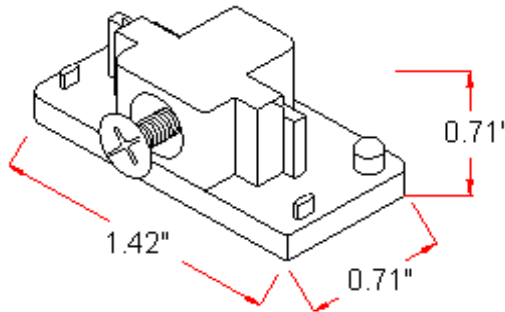


Specifications

Material Plastic



Dimensions



Warranty & Compliances

Warranty Limited 1 year warranty
ANSI/BHMA N/A



Order Codes

White	910695
Black	910703
Satin Nickel (US15)	910729
Oil Rubbed Bronze (US10B)	910711



Type:
Job:
Order Code:
Approvals: