

# Track Light Accessories Live Connectors

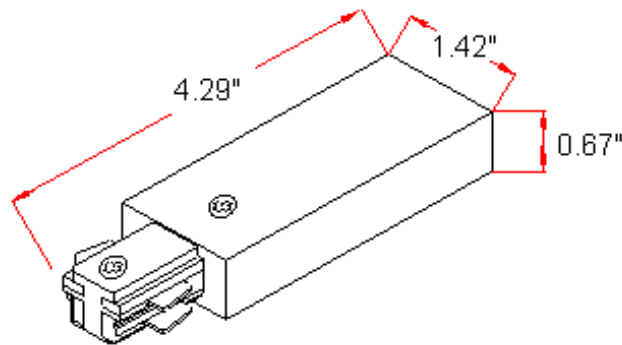


## Specifications

**Material** Plastic



## Dimensions



## Warranty & Compliances

**Warranty** Limited 1 year warranty  
**ANSI/BHMA** N/A



## Order Codes

White	910653
Black	910661
Satin Nickel (US15)	910687
Oil Rubbed Bronze (US10B)	910679



Type:  
Job:  
Order Code:  
Approvals:

Design House reserves the right to make changes in materials, specifications & models at any time. Design House also reserves the right to discontinue product without notice or obligation.