

# Eastport Kitchen Faucet

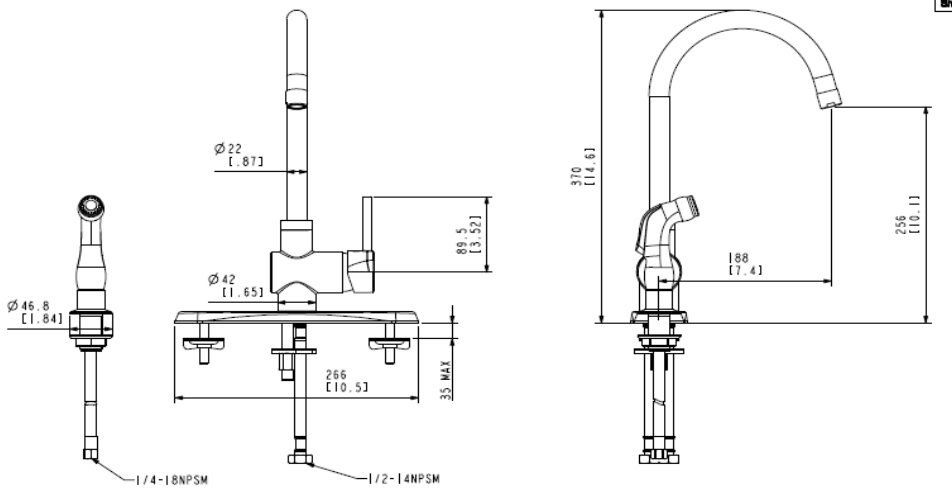


## Specifications

- Material Content:** Metal Construction
- Body Details:** Lead-Free Solid Brass Waterway
- Cartridge:** Ceramic
- Sprayer:** Sidespray in matching finish included with indicated models
- Spout:** 360° Swing Spout
- Installation:** Faucet: Single Hole Installation  
Sidespray: Single Hole Installer
- Parts:** Deck Plate Included (optional for installation)



## Dimensions



## Warranty & Compliances

- Warranty:** Lifetime Limited Warranty & Limited Lifetime Finish Warranty
- IAPMO/UPC:** UPC & cUPC Compliant
- ASME:** ASME A112.18.1/CSA B125.1
- ANSI:** Compliant
- ADA:** Compliant
- NSF:** Compliant
- Lead Free**



## Order Codes & Finishes/Colors

Kitchen Faucet w/ Sidespray				Kitchen Faucet (no sidespray)			
Finish	2.2 GPM Order Code	1.5 GPM Order Code	Model #	Finish	2.2 GPM Order Code	1.5 GPM Order Code	Model #
Polished Chrome	<b>818120</b>	<b>830562</b>	T60715AG	Polished Chrome			T60715AG
Satin Nickel	<b>818138</b>	<b>830570</b>	T60715AG	Satin Nickel			T60715AG
Oil Rubbed Bronze	<b>818146</b>	<b>830588</b>	T60715AG	Oil Rubbed Bronze			T60715AG



*Specified model is compliant with AB1953 and S.0152 legislature*

Design House reserves the right to make changes in materials, specifications & models at any time. Design House also reserves the right to discontinue product without notice or obligation.