

Eastport Kitchen Faucet

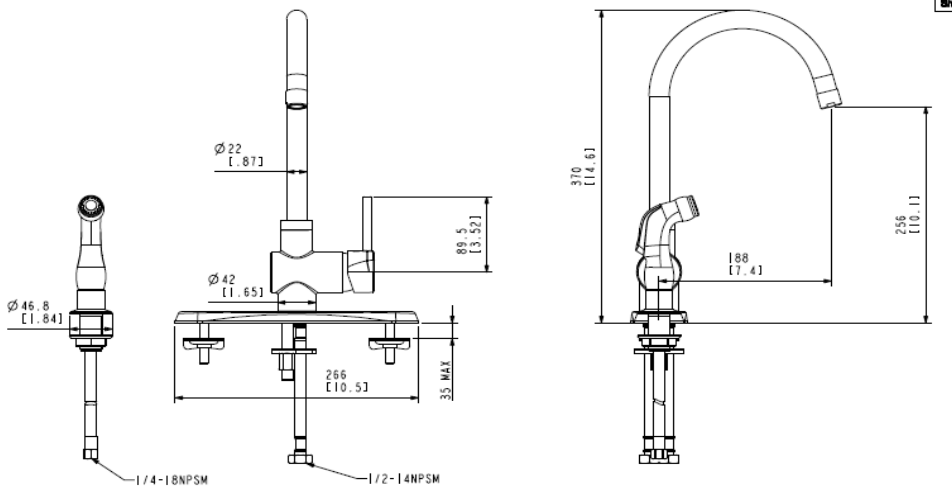


Specifications

- Material Content:** Metal Construction
- Body Details** Lead-Free Solid Brass Waterway
- Cartridge:** Ceramic
- Sprayer:** Sidespray in matching finish included with indicated models
- Spout:** 360° Swing Spout
- Installation:** Faucet: Single Hole Installation
Sidespray: Single Hole Installer
- Parts:** Deck Plate Included (optional for installation)



Dimensions



Warranty & Compliances

- Warranty** Lifetime Limited Warranty & Limited Lifetime Finish Warranty
- IAPMO/UPC** UPC & cUPC Compliant
- ASME** ASME A112.18.1/CSA B125.1
- ANSI** Compliant
- ADA** Compliant
- NSF** Compliant
- Lead Free**



Order Codes & Finishes/Colors

Kitchen Faucet w/ Sidespray				Kitchen Faucet (no sidespray)			
Finish	2.2 GPM Order Code	1.5 GPM Order Code	Model #	Finish	2.2 GPM Order Code	1.5 GPM Order Code	Model #
Polished Chrome	818120	830562	T60715AG	Polished Chrome			T60715AG
Satin Nickel	818138	830570	T60715AG	Satin Nickel			T60715AG
Oil Rubbed Bronze	818146	830588	T60715AG	Oil Rubbed Bronze			T60715AG



Specified model is compliant with AB1953 and S.0152 legislature

Design House reserves the right to make changes in materials, specifications & models at any time. Design House also reserves the right to discontinue product without notice or obligation.