

Eastport Single Handle Lavatory Faucet

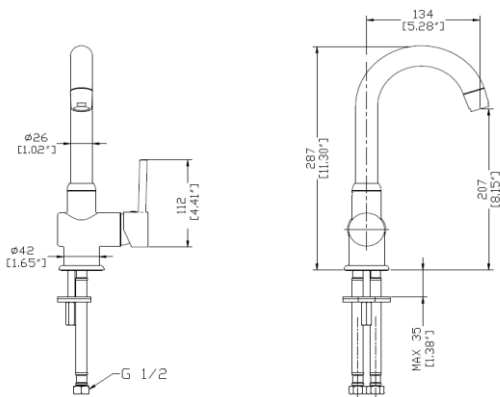


Specifications

Material Content	Metal Construction
Cartridge	Ceramic
Lift Rod	None
Installation	Single-hole
Parts	Touch-Activated Pop-Up in Matching Finish Included



Dimensions



Warranty & Compliances

Warranty	Lifetime Limited Warranty, Lifetime Limited Finish Warranty
IAPMO/UPC	IAPMO/CUPC compliant
ASME	ASME A112.18.1/ CSA B125.1
NSF/ANSI	NSF 61/ANSI
Lead Free	Fed. P.L. 111-380 (1/2014)
WaterSense®	Compliance with EPA WaterSense® High Efficiency Lavatory Faucet Specification .
ADA	Compliant



NSF / ANSI 61



Order Codes & Finishes/Colors

Finish	Faucet Grade	1.5 GPM Order	1.0 GPM Order Code	Model #
Polished Chrome	Showroom	817155	829317	T80234AG
Satin Nickel	Showroom	817148	829325	T80234AG
Oil Rubbed Bronze	Showroom	817502	829333	T80234AG

Type:

Job:

Order Code:

Approvals:

Design House reserves the right to make changes in materials, specifications & models at any time. Design House also reserves the right to discontinue product without notice or obligation.