

Calle Kitchen Faucet with Sidespray

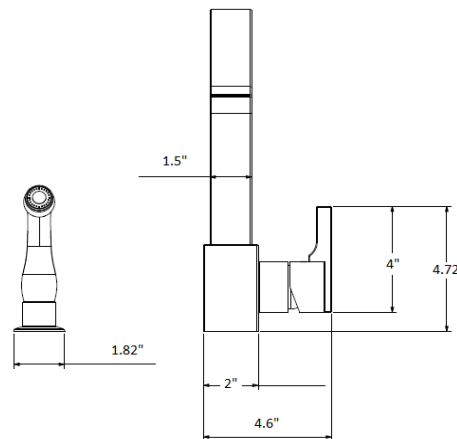
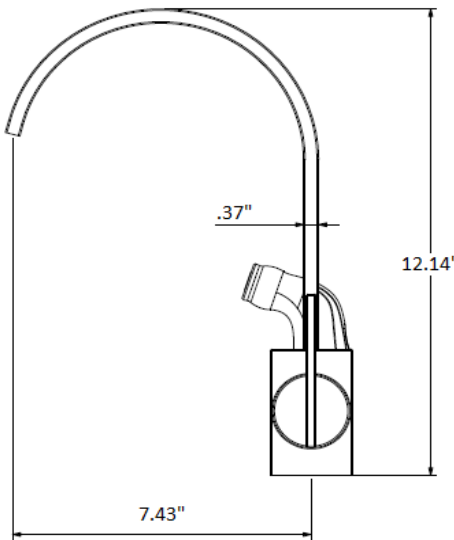


Specifications

| | |
|--------------------------|---|
| Flow Rate (GPM) | 1.5 gpm @ 80psi |
| Material Content | Metal Construction |
| Cartridge | Ceramic |
| Sprayer | Sidespray in Matching Finish |
| Spout | 360° Swing Spout |
| Installation Type | 2 Hole Installation |
| Parts | Deck Plate Included (Optional for Installation) |



Dimensions



Warranty & Compliances

| | |
|------------------|----------------------------|
| Warranty | Lifetime Limited Warranty |
| IAPMO/UPC | IAPMO & cUPC Compliant |
| ASME | ASME A112.18.1/ CSA B125.1 |
| ANSI | Compliant |
| ADA | Compliant |
| NSF | Compliant |



Lead Free

Order Codes & Finishes/Colors

| Finish | Faucet | 2.2 GPM | 1.5 GPM | Model # |
|-------------------|----------|---------------|---------------|----------|
| Polished Chrome | Showroom | 818641 | 825216 | T60413AG |
| Satin Nickel | Showroom | 818658 | 825224 | T60413AG |
| Oil Rubbed Bronze | Showroom | 818666 | 829150 | T60413AG |

Type:
Job:
Order Code:
Approvals:

Design House reserves the right to make changes in materials, specifications & models at any time. Design House also reserves the right to discontinue product without notice or obligation.