

Eastport Tub and Shower Trim

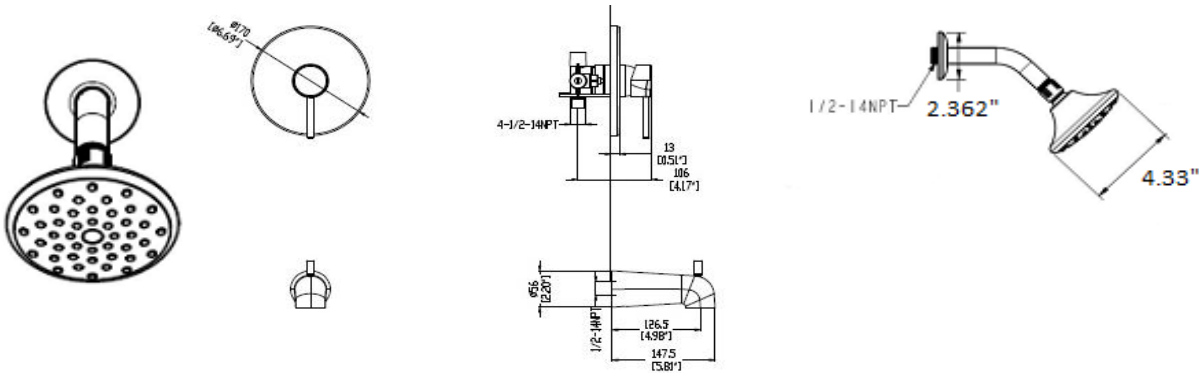


Specifications

Material Content	Metal Construction handle and spout
Spout	Threaded spout with integral pull-up diverter. (Conversion kit included for slip-on installation option.)
Handle Operation	1/4 Turn Stop
Flow Rate	Available in 2.5 and 1.75 GPM flow rate options.
Recommended PSI	80 PSI
Parts	Valve not included



Dimensions



Warranty & Compliances

Warranty	Lifetime Limited Warranty, Lifetime Limited Finish Warranty
IAPMO/UPC	IAPMO/CUPC compliant
ASME	ASME A112.18.1/ CSA B125.1
ADA	Compliant
ANSI	Compliant



Order Codes & Finishes/Colors

Tub and Shower Trim

Finish	2.5 GPM	1.75	Model #	Require
Polished Chrome	817551	828889	T80263NB	804567
Satin Nickel	817296	828897	T80263NB	804567
Oil Rubbed Bronze	817577	828905	T80263NB	804567

Type:
Job:
Order Code:
Approvals:

Shower Trim Only - No Spout

Finish	2.5 GPM Order Code	1.75 GPM Order Code	Model #	Required Valve
Polished Chrome	817601	828913	T80261N	804567
Satin Nickel	817619	828921	T80261N	804567
Oil Rubbed Bronze	817627	828939	T80261N	804567

Handle Trim Only

Finish	Order Code	Required Valve
Polished Chrome	828665	804567
Satin Nickel	819433	804567
Oil Rubbed Bronze	828947	804567

Design House reserves the right to make changes in materials, specifications & models at any time. Design House also reserves the right to discontinue product without notice or obligation.