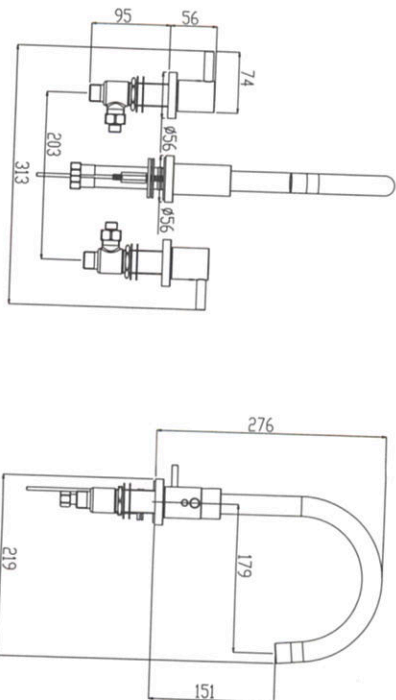
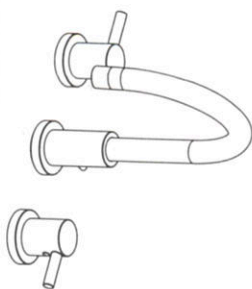


PRODUCT COMPONENT INSTRUCTION

817106

EASTPORT 8" WIDESPREAD LAV. PC

DIMENSIONS



■ For Reference only (unit = mm)

FAUCET MAINTENANCE

Please read the followings before installing and usage.

1 Installation

Rinse the inlet pipe clean.
Exactly connect to appropriate water supplies with hot water supply on the left side and cold on the right side.

2 Technique Parameter

Water Pressure: 0.1MPa-0.86MPa.
Water Temperature: 5-71°C.

3 Surface maintenance

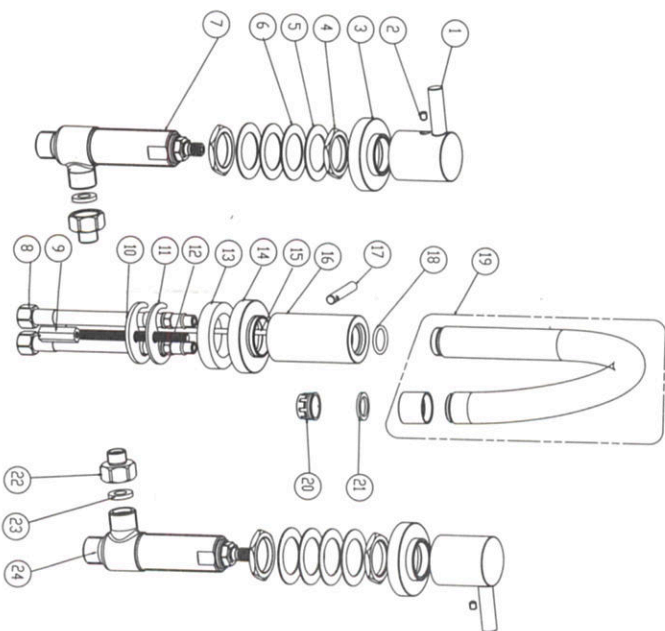
Remove as mush surface dirt and film using clear water and cotton cloth.

Spray cleaner such as mild liquid detergents, clear liquid glass cleaner, non-acidic and fully dissolved powder cleaners or non-abrasive liquid polishers on the rag to clean the faucet surface.

Once clean, rinse faucet again with clear water to thoroughly remove cleaner and dry with soft cotton cloth.

EXPLODED DRAWING

Please read the followings before installing and usage.



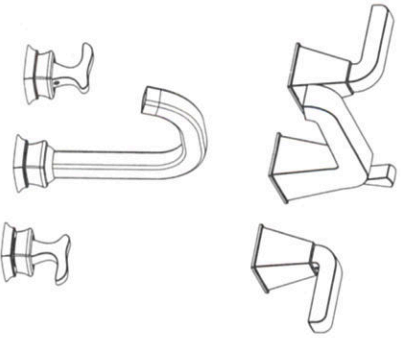
NO.	Part No	Qty
01	CTHZ0348	2
02	CTST0117	2
03	CTLZ0022	2
04	CTNB0155	4
05	CTWT0039	4
06	CTWR0216	4
07	ATB00207	1
08	ATBP0076	2
09	CTNB0004	1
10	CTWB0040	1
11	CTMP0058	1
12	CTST0013	1
13	CTWR0318	1
14	CTLZ0023	1
15	CTMB0594	1
16	CTDM0039	1
17	CTHB0234	1
18	CTRR0220	1
19	ATBP0266	1
20	CTWR0021	1
21	ATBX0040	1
22	CTMN0063	2
23	CTWR0249	2
24	ATB00206	1

■ Notes: For reference only. We reserve the right to make changes without any notice.

GENERAL INSTALLATION INSTRUCTIONS

Notes: These installations are for all types of mixer, the mixer in this instructions is for reference only.

8" Wide Spread lav Faucet



BEFORE INSTALLATION

- ▲ Please read these instructions carefully before starting the installation to avoid any unnecessary damage.
- ▲ Please check if the product is in a good condition after opening the package. The recommended tools shall be provided by yourself and not included with this product.
- ▲ All information is based on the latest product information available at the time of publication. We reserve the right to make changes in product characteristics, packaging or availability at anytime without notice.
- ▲ Please keep these instructions after installation for reference.
- ▲ All illustration and dimensions provided by these instructions are only for reference. For the installation, please refer to the actual product.
- ▲ Before installing and using this product, user shall carefully read and understand the content of these instructions.

RECOMMENDED TOOLS AND MATERIALS



Pipe Sealing Tape



Flathead Screwdriver,
Phillips Screwdriver



Tape Measure



Adjustable Wrench



Hex Wrench



Pipe Wrench

ATTENTIONS

Please read the followings before installing and usage.

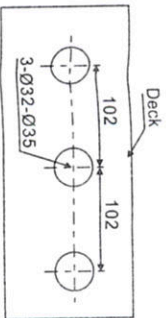
- ▲ To avoid blockage, please flush all pipes before installing new fixture.
- ▲ Connect to appropriate water supplies with hot water supply on the left side and cold on the right side.
- ▲ For proper installation, verify the installation dimensions against the fixture.
- ▲ The temperature of the hot water shall not be higher than 71°C.

INSTALLATION

Please read the followings before installing and usage.

1 Locate the faucet

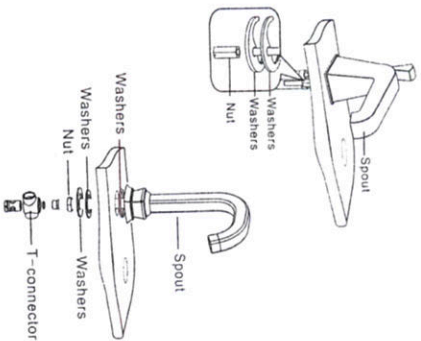
Please read the installation dimensions carefully before drilling holes as shown. It can be adjusted as actual required. Take off bottom installing components and insert the faucet into the deck hole, then adjust it to an appropriate position.



■ For Reference only (unit = mm)

2 Install spout

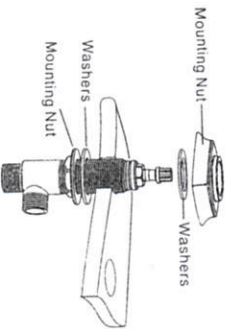
Install the fitting of the spout from bottom to top. Then insert the spout into the fixing hole and adjust the position. Fasten the bolts with wrench and fix the spout on the deck.



3 Install valve assy

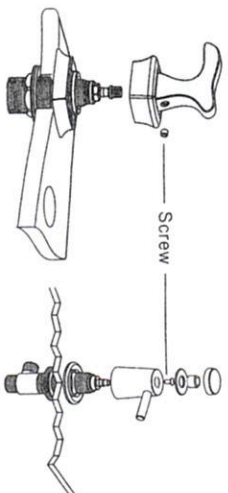
Take off the handle and the nut. Insert valve assembly through the mounting hole from below and turn on the nut from above to appropriate position.

Secure the valve on the deck by tightening nut from below with wrench after appropriately adjusting.



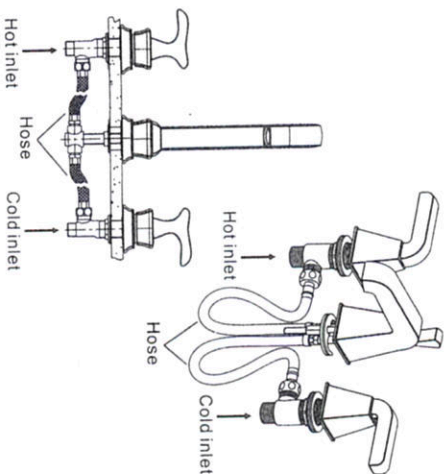
4 Install handle

As shown, install parts and fasten the handle on the valve core with screw. Rotate the handle to check if it is in order.



5 Connect water supply

Connect valve body and spout with hose as shown on picture. Connect water supply lines to bottom openings of handle valve stems.



6 Installation check

Open drainage and main water supplies to check for leakage after ensuring all joints tightened up, and let water flows out the spout to remove impurities and then close the valve.

