

# Kenton Lavatory Faucet

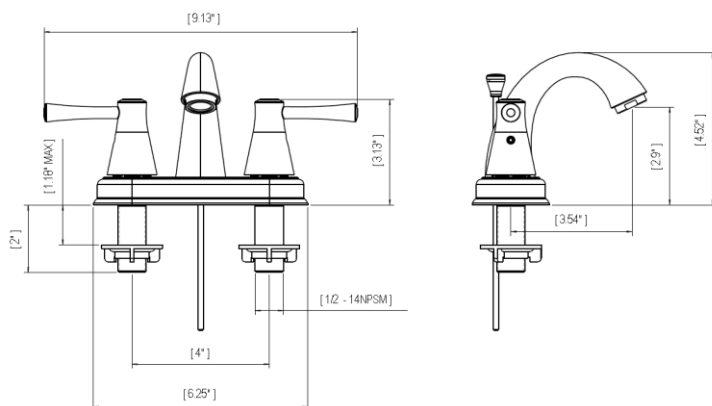


## Specifications

<b>Material Content</b>	Metal Construction
<b>Cartridge</b>	Ceramic
<b>Lift Rod</b>	Ceramic cartridge
<b>Installation</b>	4" Centers
<b>Parts</b>	Pop-Up in Matching Finish Included



## Dimensions



## Warranty & Compliances

**Warranty** Lifetime Limited Warranty, Lifetime Limited Finish Warranty

**IAPMO/UPC** UPC/CUPC compliant

**ASME** ASME A112.18.1/ CSA B125.1

**NSF/ANSI** ANSI

**Lead Free**

**WaterSense®** Compliance with EPA WaterSense® High Efficiency Lavatory Faucet Specification .

**ADA** Compliant



## Order Codes & Finishes/Colors

Finish	Faucet Grade	1.5 GPM Order	1.0 GPM Order Code	Model #
Polished Chrome	Contractor	809293	828616	T20144FD
Satin Nickel	Contractor	810457	828772	T20144FD
Oil Rubbed Bronze	Contractor	805879	828780	T20144FD
Polished Chrome	Showroom	805739		T20144AD
Satin Nickel	Showroom	805853		T20144AD
Oil Rubbed Bronze	Showroom	808741		T20144AD

Type:  
Job:  
Order Code:  
Approvals:

Design House reserves the right to make changes in materials, specifications & models at any time. Design House also reserves the right to discontinue product without notice or obligation.

