

Eastport Semi-Flush Drum Pendant



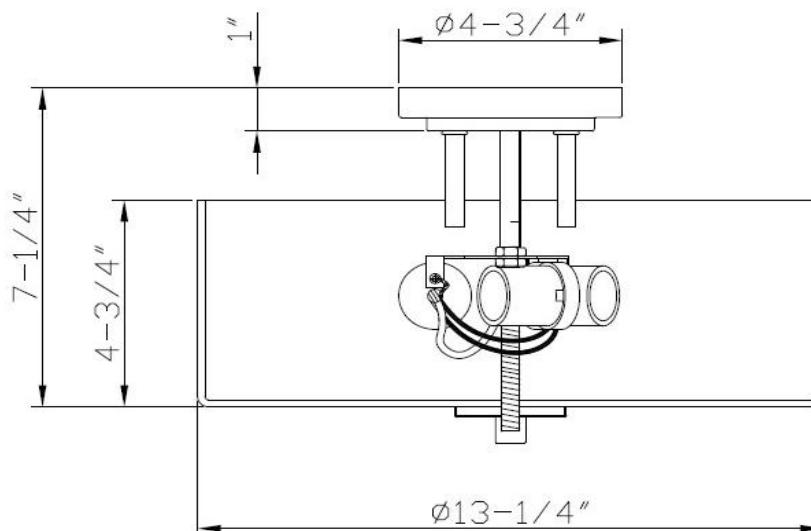
Specifications

Material Construction Steel
Shade: Frosted Glass
Installation: Ceiling-mount
Fixture Weight: 5.18 lbs.
Voltage: 120V

Coordinating Fixtures Pendant Lights, Ceiling Fan,
 Bathroom Vanity Fixtures, Wall Sconces,
 Vertical Bar Light, Flush-Mount Fixtures,
 Semi-Flush Fixtures



Dimensions



Warranty & Compliances

Warranty 10 Year Limited Warranty
UL UL Listed
ADA N/A
EnergyStar N/A



Companion Fixtures

1-Light Wall Sconce

Order Code	Finish	Bulb
809285	Polished Chrome	3 x 60w medum base bulbs
809236	Polished Chrome	3 x 13w GU24 bulbs
809301	Satin Nickel	3 x 60w medum base bulbs
809251	Satin Nickel	3 x 13w GU24 bulbs
809277	Brushed Bronze	3 x 60w medum base bulbs
809202	Brushed Bronze	3 x 13w GU24 bulbs

Type:
 Job:
 Order Code:
 Approvals:

Design House reserves the right to make changes in materials, specifications & models at any time. Design House also reserves the right to discontinue product without notice or obligation.