

Small Door Knocker with Viewer

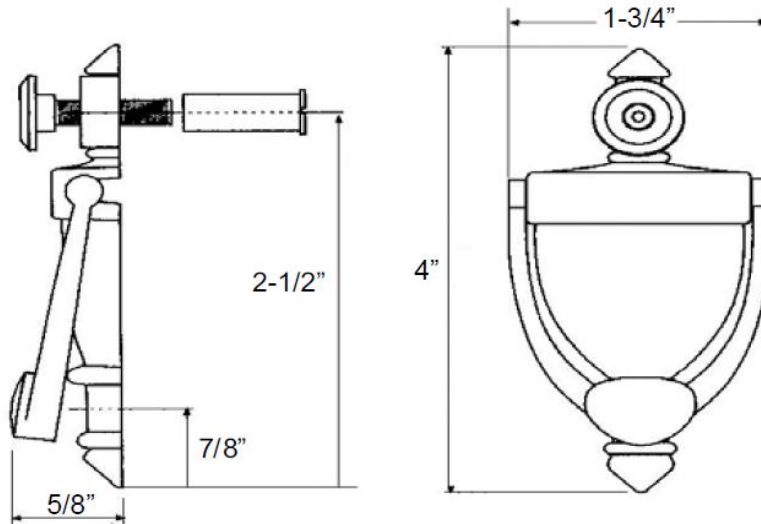


Specifications

Metal Material: Zinc Die-cast
Lens material: Plastic lens in brass through-door frame
Viewing Angle: 160°
Hardware: Mounting hardware included:
Projection: 5/8" from Door Surface
Overall Size: 1-3/4" x 4"



Dimensions



Warranty & Compliances

Warranty: Limited 1 year warranty
ANSI/BHMA: N/A



Order Codes

Satin Nickel (US15)

808816



Type:

Job:

Order Code:

Approvals:

Design House reserves the right to make changes in materials, specifications & models at any time. Design House also reserves the right to discontinue product without notice or obligation.