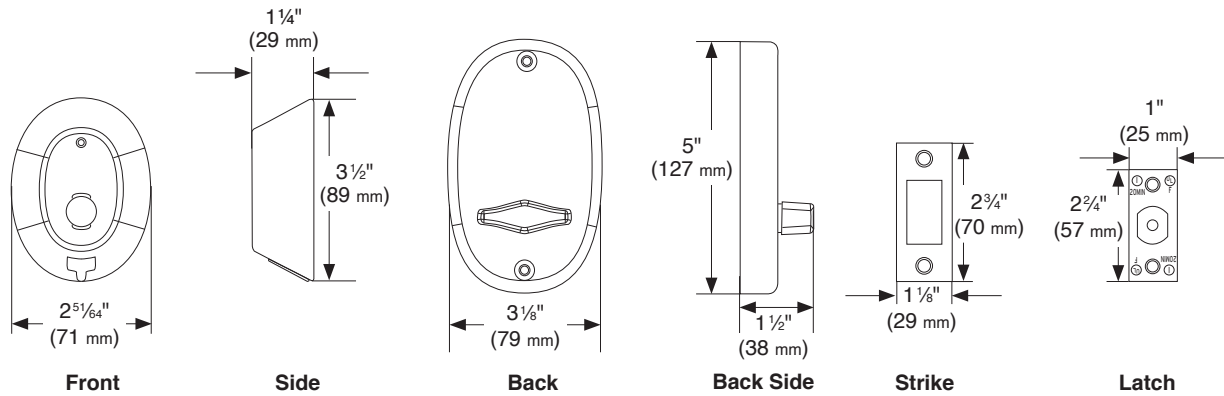


InSync™ D Locks

Operating System: **SAM RF**

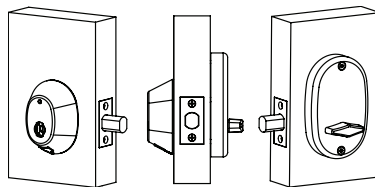


Part Number	Description	List Price (\$US)
RD x x - FIN**	InSync D, DB (DB)	\$241.00
DRD x x - FIN**	InSync D, Mounted Demo Unit	\$424.00

** Select a finish and see the configurator below.

Build the model number with the desired options				
R	D	0	1	2 6 D
Model	Class	Locking Device	Configuration	Finish

Model	Class	Locking Device	Configuration	Finish
R	D	0 Adjustable Backset Deadbolt, 1" Faceplate	1 Unit	26 Bright Chrome
		3 2 ³ / ₈ " Backset, Drive-in Deadbolt (\$10 Upcharge)	3 Suite	26D Satin Chrome
		4 2 ³ / ₄ " Backset, Drive-in Deadbolt (\$10 Upcharge)	5 Common	U3 Bright Brass
				U4 Satin Brass
				U15 Satin Nickel (\$18 Upcharge)
				10B Dark Mahogany (\$40 Upcharge)



InSync locks are designed to fit doors **1³/₈" to 2"** thick. Door sizes outside this range will require custom parts

InSync Lock Designations

Unit – Individual entry door lock. Rotation of the inside thumb turn or the inserted RFID key extends or retracts the 1" DB

Suite – Allows access to residents who have individual units behind the suite door. D suite locks require the resident to rotate the thumb turn or by rotating the RFID key to lock or unlock the door. Suite locks recognize up to 20 resident codes.

Common – Lock programmed for common use areas (eg. Entrance, Stairwell, Exercise Room, Business Center, Pool, etc.)